

Bike Rack Option Installation Instructions

P/N 210552: Rear Door Bike Rack Option (BRO)

Before you begin:

- This is a SUPPLEMENTAL product – it must be mounted to an Aluminess Rear Door Base Unit (sold separately).
- **Maximum load capacity is 100 lbs per set of supports (200 lbs total) on bike rack once installed, not including bike trays / boxes.**
- This product is compatible with either the Transit or Sprinter Rear Door Base Unit Products.
- Stainless steel hardware may bind together when tightening — apply an anti-seize assembly lubricant to the threads of each bolt before assembly



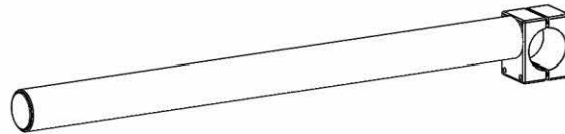
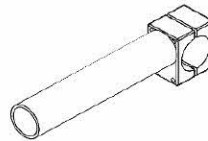
Required Tools:

- Hex key (Allen) set

Additional Parts:

<u>Description</u>	<u>Quantity</u>
Box/Bike Support, Short (pre-assembled)	2 ea
Box/Bike Support, Long (pre-assembled)	2 ea

Picture



Bike Rack Installation:

NOTE: This is a SUPPLEMENTAL product – it must be mounted to an Aluminess Rear Door Base Unit (sold separately).

1. Install your rear door base unit using the separately provided installation instructions.
2. Determine desired location for bikes trays:
 - a. Long supports high & short supports low = two bikes high & deluxe box below (Figure 1).

- b. Short supports high & long supports low = one bike high & mid-sized box low with bike in front (Figure 2).



Figure 1: Configuration for Two Bikes High, Box Below

3. Install the bolt-on tire/box supports onto the vertical members of the base unit rack near at the bottom of the rack as shown in Figure 3.

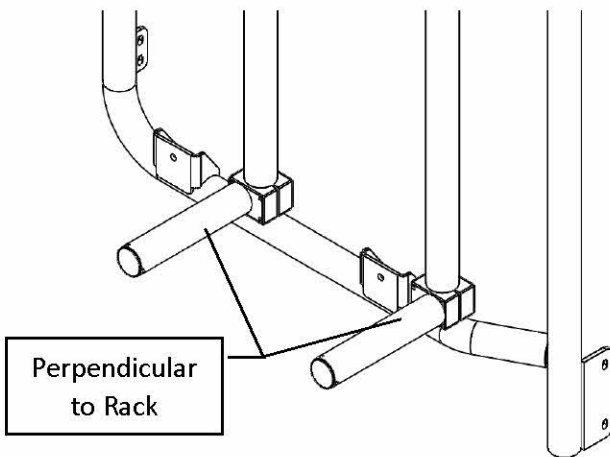


Figure 2: Bottom Supports Installed

(Shown with Two Bikes High, Box Below Configuration)

4. Tighten the four (4) bolts on each support.
5. Install the bolt-on tire/box supports onto the vertical members of the base unit rack near the top of the rack as shown in Figure 4. Be sure to leave enough room for the box and bike tray attachments.

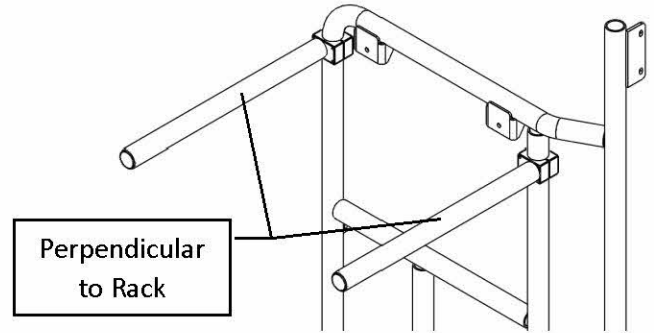


Figure 3: Upper Supports Installed

(Shown with Two Bikes High, Box Below Configuration)

6. Tighten the four (4) bolts on each support.
7. Complete installation of bike trays and/or boxes with separately provided instructions.
8. When installing a box, drill through the base unit rack in the locations shown in Figure 5. Be sure to leave enough room to gain access to the rear door handle.

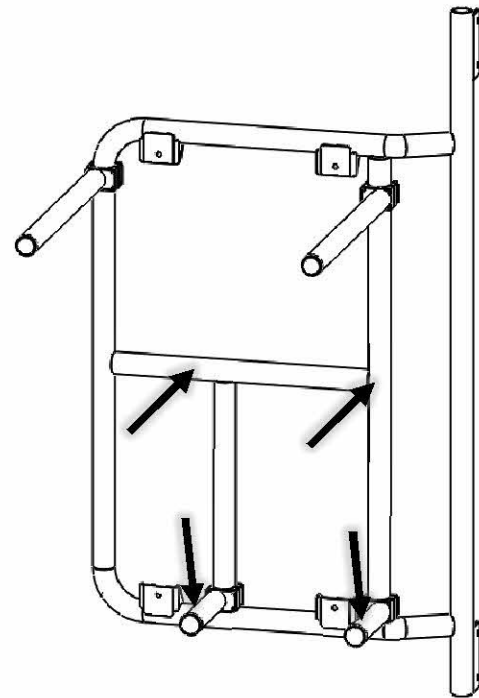


Figure 4: Box Through-Bolt Locations

9. Your Rear Door Bike Rack Option is now installed. Enjoy!

