

# Bolt-On Box + Tire Carrier Installation Instructions

P/N 210574: Rear Door Bolt-On Box/Tire Carrier

**Before you begin:**

- **Maximum load capacity is 100 lbs on box/tire rack once installed.**
- Product must be used in conjunction with Transit Rear Door Ladder (P/N 210534) or Sprinter Rear Door Ladder (210572); sold separately.
- Stainless steel hardware may bind together when tightening — apply an anti-seize assembly lubricant to the threads of each bolt before assembly
- This Product is **NOT** compatible with a Sprinter Dually

**Required Tools:**

- Standard and metric wrench set
- Standard and metric socket set
- Hex key (Allen wrench) set

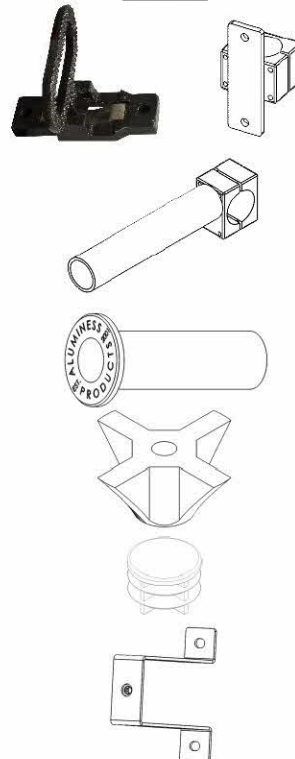
**Included Hardware:**



P/N	Description	Quantity
70348	3/8"-16 x 1.25" Carriage Bolt, SS	2
70028	3/8" Washer	2
70024	3/8"-16 Nylock Locking Nut	2
70452	3/8"-16 x 3" Socket Head Bolt, Fully Threaded, Zinc	1
70271	3/8 Internal Tooth Lock Washer, Zinc	1
70246	Antiseize Bolt Lubricant Packet, 2g	1
401006	5/16" Allen Key	1

<u>PN</u>	<u>Description</u>	<u>Quantity</u>
350660	Bolt-On Folding Step Mounts (pre-assembled)	3 ea
350662	Bolt-On Tire/Box Supports	2 ea
301506	Universal Tire Mount, Wedge Mount	1 ea
401004	Universal Tire Mount, Wheel Wedge	1 ea
401005	Polyethylene Plastic Snap-in Round Plug	1 ea
350616	Universal Tire Mount, Bracket	1 ea

Picture



2x 70024

**Tire Rack Installation:**

1. Install the Aluminess Rear Door Ladder (P/N 210543) per the separately provided installation instructions.
2. Loosely install the bolt-on tire/box supports onto the bottom crossmember of the rack as shown in Figure 1.



Figure 1: Bolt-On Supports Loosely Bolted to Lower Crossmember

3. Starting with support closest to tail light – sliding support as close to the tail light as possible and then rotate into desired position and tighten.

PRO TIP: Reference Figure 2 for suggested mounting orientation.

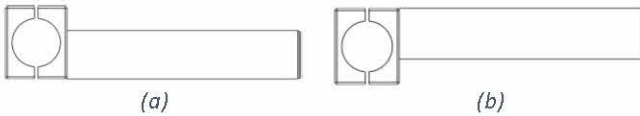


Figure 2: Suggested Orientation for Tire (a) and Box (b)

4. Repeat for the support opposite the center post, being sure that the spacing is equal from the center post, and the orientation is the same for both supports.
5. Loosely fasten the Tire Mount Bracket to the slotted channel using the 3/8" carriage head bolts, washer, and nuts to mount. Reference Figure 3.

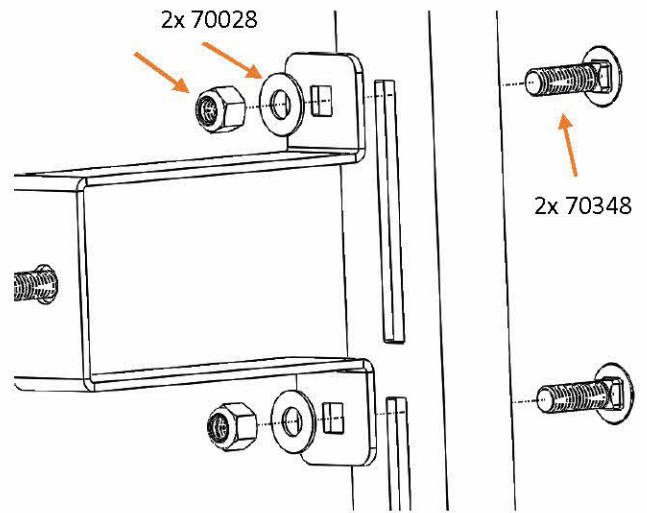


Figure 3: Mounting Tire Bracket

6. Place the mounting bracket in the correct location by placing your tire on the tire supports and then adjusting the bracket vertically until the center hub aligns with the center of the bracket.
7. Once the bracket is in place remove the tire and tighten the hardware holding the bracket in place.
8. Place the tire on the support stands and mount the wheel wedge, wheel wedge mount, 5" socket head bolt, and locking washer to secure the wheel into place with the provided Allen key. Reference Figure 4 and 5.

**NOTE:** For *Sprinter dually wheels*, ensure all four fins of the wheel wedge engage the wheel hub and do NOT overtighten the wedge. Misalignment or overtightening of the wedge can lead to issues securing the wheel properly.

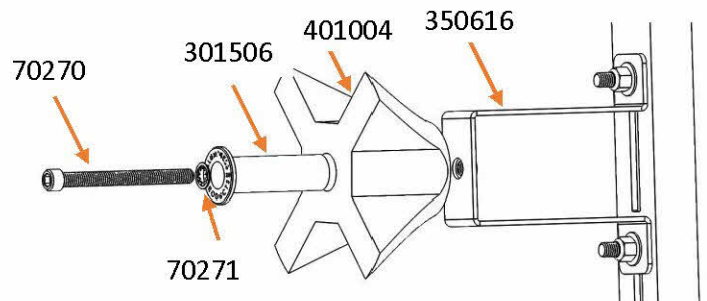


Figure 4: Wheel Wedge Assembly



Figure 5: Tire Mount Assembled

9. Once everything is securely fastened insert the snap in plug into the wedge mount. Reference Figure 6.

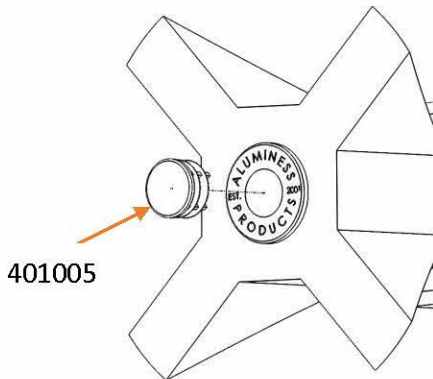


Figure 6: Snap in round plug

10. Bolt the fold-down step on the outside rail of the ladder in desired locations. Reference Figures 7.

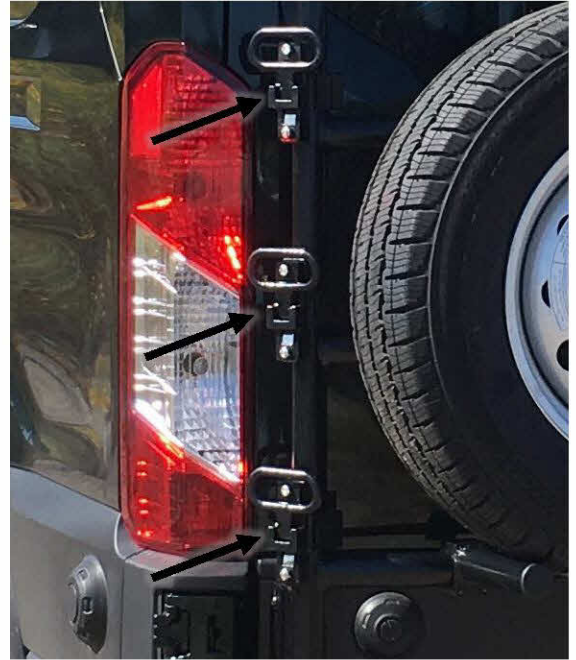


Figure 7: Step Mounting Locations

11. Check mounting hardware after first 100 miles of driving and periodically after to verify hardware has not become loose from vibration.
12. Your new Aluminess tire rack is now installed, enjoy!

