

FORD SUPERDUTY (F250-F550) INSTALLATION INSTRUCTIONS **FORD SUPERDUTY 2017+ FB**

Please read before beginning

- *Stainless steel hardware may bind together when tightening—It is recommended that you apply an anti-seize assembly lubricant to the threads of each bolt before assembly*
- *This installation requires two people*



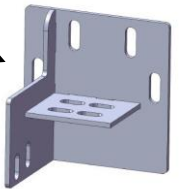

Required tools

- Standard wrench set
- Leveling tool

Included hardware

- Aluminess Mounting Brackets
- Mounting hardware
 - 70036 - 1/2-13 x 1 1/2" Hex head bolt grade 8
 - 70033 - 1/2-13 Nylock Nuts
 - 70035 - 1/2" ID Washer
- 400511 - Fairlead Cover (preinstalled w/ the below hardware)
 - 70008- 1/4-20 Nylock Nuts SS
 - 70039- 1/4 x 7/8 Fender Washer SS
 - 70060- 1/4-20 x 1" Button Head Bolt SS
- 70009 - 1/4" ID Washer
- 400503.4 - Keys, Tool Box Lock Set
- Antiseize Packet, 2g

Quantity

2	
20	
20	
40	
1	
4	
4	
4	
4	
1 set	
1	

Installation Instructions

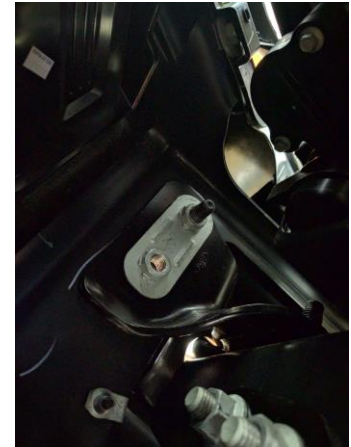
1. Begin by removing the plastic covers that surround each tow hook. They are held in place with plastic clips so squeezing the sides will help you remove them.



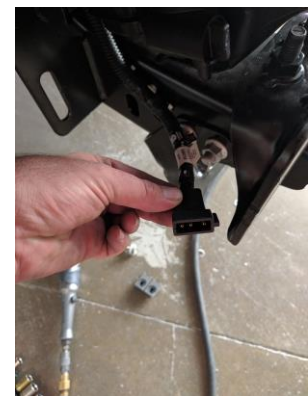
2. You will now remove the bolts holding the factory bumper corner supports. These are located underneath a body mount.



3. You can now remove the 8 bolts that were exposed by removing the plastic that surrounds each tow hook.



4. Do not completely remove each bolt, just get it to a point where you can spin the bolt with your hand. There is a nut plate on the back side of the bumper that will spin if you remove the first bolt entirely.
5. With the help of a couple of friends, remove the hand tight bolts and gently start to slide off the factory bumper. There are a couple of wiring harnesses that may need to be disconnected before you can completely remove the bumper. If your vehicle is equipped then disconnect the wiring harnesses at the quick disconnect point.



6. You can now remove the 4 mounting bolts that hold the tow hook to the frame of the vehicle.
7. If your vehicle is equipped, remove the 2 brackets that hang down from the bottom of the frame.
8. You can now begin installing the Aluminess Bumper. Begin by installing the mounting bracket on the frame. The vertical plate on the bracket will mount to the outside of the frame, and the horizontal plate will bolt through the top of the frame.
9. Once the mounting brackets are installed you can mount the Aluminess bumper to the brackets. You should have a slight adjustment up and down, and left and right. Have a couple of friends help you hold the bumper in the right spot while you tighten the bolts that hold the bumper to the mounting brackets.
10. Double check to make sure all of your hardware is tight.
11. Enjoy your new Aluminess Bumper!

