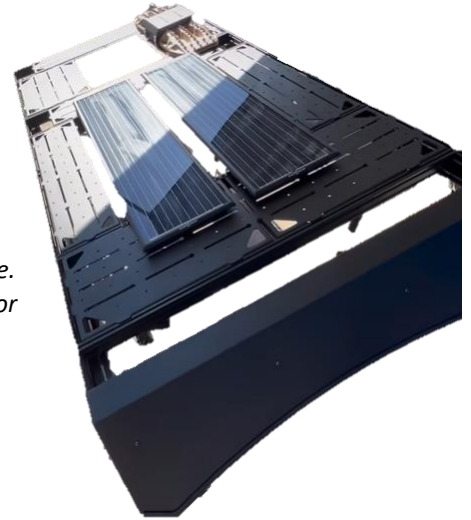


# Cruiser Roof Rack Installation Instructions

P/Ns 210711 Cruiser Roof Rack, 44" x 10" Flooring Panel

## Before you begin:

- Read all instructions carefully before beginning installation/assembly
- Stainless steel hardware may bind together when tightening — apply the supplied anti-seize assembly lubricant to the threads **before** installation.
- Over tightening bolts can cause the hardware to break due to excessive force. When tightening, be sure to apply only the recommended torque.
- Installation requires two or more people to install the roof rack on top of the vehicle.
- Once installed, the maximum weight capacity of the roof rack is 200 lbs per panel, or 600lbs evenly distributed. Please refer to the vehicle manufacturer's recommended maximum weight rating before operating the vehicle.



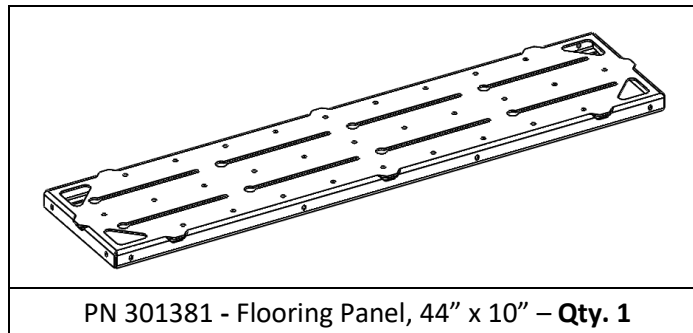
## Required Tools:

- Standard wrench set
- Standard hex key (Allen) set

## Included Hardware:

<b>P/N</b>	<b>Description</b>	<b>Quantity</b>	<b>Torque</b>
70366	Washer, 1/4" ID, SS, Black Oxide	8	
70367	Split Washer, 1/4" ID, SS, Black Oxide	8	
70368	Bolt, 1/4"-20 x 1/2", Button Head, SS, Black Oxide	8	6 ft-lbs (72 in-lbs)
70370	Track Nut, 1/4"-20	8	
70372	Spring, SS, .36" OD x 1/2" Long	8	

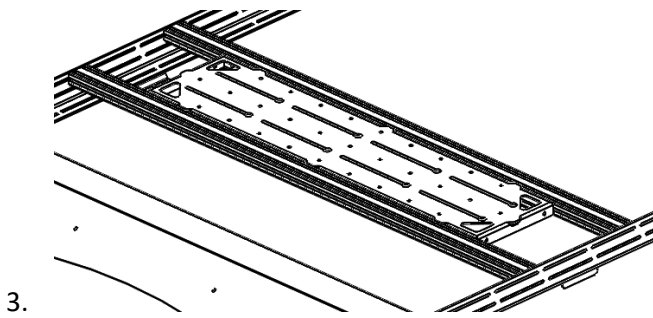
## Additional Parts:



## Flooring Panel Installation:

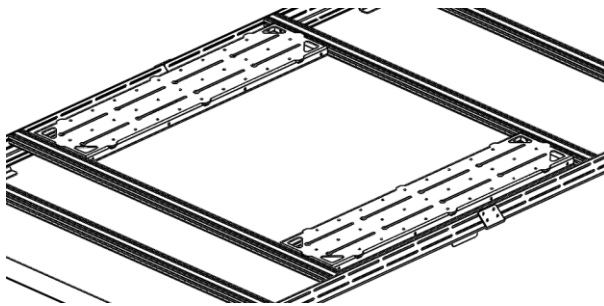
*PRO TIP: Protect the powdercoating by lying down some blankets or towels before assembling the roof rack.*

1. Determine desired vent location(s) and ensure that crossbar placement doesn't interfere.
2. Set flooring panels onto crossbars. Adjust the crossbars as needed. Reference Figure 1 -

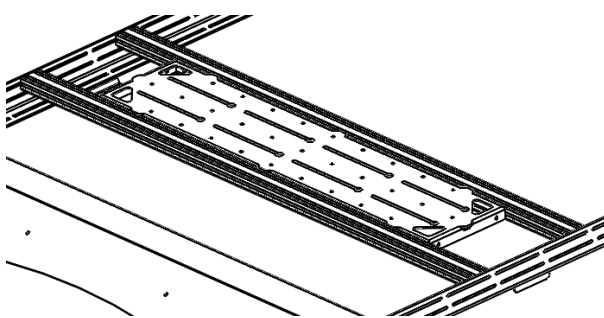


3.

4. *Figure 2* for available orientation.

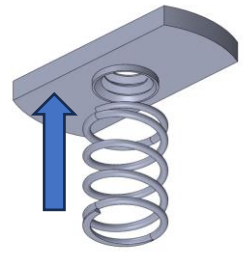


*Figure 1: 44" x 10" Panel Orientation #1*

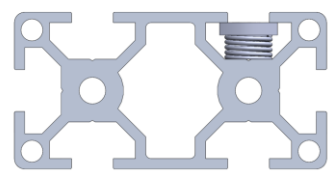
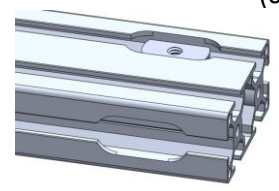


*Figure 2: 44" x 10" Panel Orientation #2*

5. Install spring onto track nut and insert into crossbars to fasten panels down (see *Figure 3* - *Figure 4*).

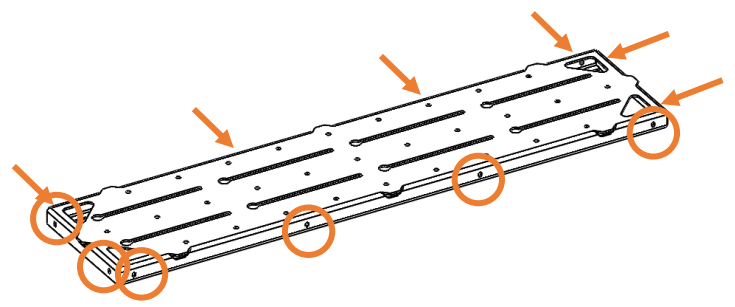


*Figure 3: Combining the Spring with the Track Nut*



*Figure 4: Installing Track Nut & Spring into Crossbar*

6. Slide track nuts into the desired installation position on cross bar. Use flooring panel to space track nuts appropriately. Tighten down using 1/4"-20 hardware. (Reference *Figure 5* - *Figure 6*).



*Figure 5: Flooring Panel Fastening Locations*

Use tie-down holes to access hardware from top



7. Your new Aluminess flooring panels are now installed! Be sure to check all hardware after the first 100 miles of driving and periodically thereafter.

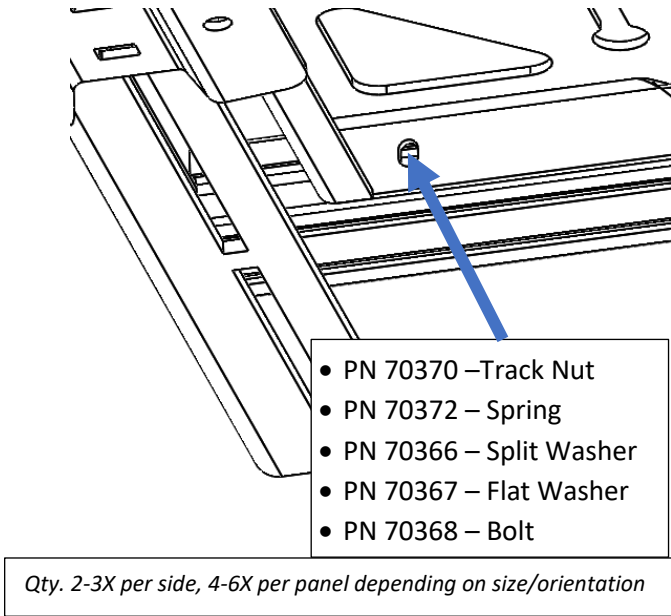


Figure 6: Flooring Panel Fastening Technique (Underside)