



PN: [210245.2 & 210245.3]

Rear Bumper *INSTALLATION INSTRUCTIONS* **2011-Current, Nissan, NV**

Please read before beginning

- *Stainless steel hardware may bind together tightening—It is recommended that you anti-seize assembly lubricant to the threads bolt before assembly*
- *This installation requires two people*
- *Unless otherwise specified, refer to the torque value at the end of the instructions specified torque values*



*when
apply an
of each*

*general
for*

Required tools

- Standard wrench set
- Leveling tool
- Drill with 1/2" Drill Bit

Included Hardware:

<i>P/N</i>	<i>Description</i>	<i>Quantity</i>
70092	Hex Head Bolt, M12-1.25x40mm, Grade 8.8	6
70106	M12, Lock Washer	6
70081	1/2" X 1 3/4" , Grade 8 Bolt	2
70033	1/2" Nylock Nut	2
70050	1/2" Flat Washer	4
70246	Antisieze Bolt Lubricant, 2g	1
70479	Bit, 5/32" hex, tamper-resistant	1
401132	1/4" Hex Bit Holder, Key Chain	1



Installation Instructions

1. Remove trailer wiring that may be hooked up to the factory rear bumper.
2. Once all of the wiring is free from the factory bumper then you can remove it. Remove the 3 bolts from each side of the bumper that hold it to the frame.
3. With the help of a friend remove the rear bumper.
4. Line your new aluminess rear bumper up with the same holes that the factory bumper used. Use the included hardware to hold your Aluminess rear bumper to the frame.
5. Using the hitch holes as a guide. Drill a 1/2" hole through the bottom of the bumper. Install the provided 1/2" hardware to bolt the hitch to the bumper for extra support.



6. When installing your tire to the tire rack swing arm (if applicable), be sure to place the tire so that it rests on the two support arms before tightening anything down (**see Figure 1**)

Tire Rack Installation:

1. Loosely fasten the Tire Mount Bracket to the slotted channel, going through the bracket first, using the 3/8" carriage head bolts, washer, and nuts to mount. Reference Figure 15.

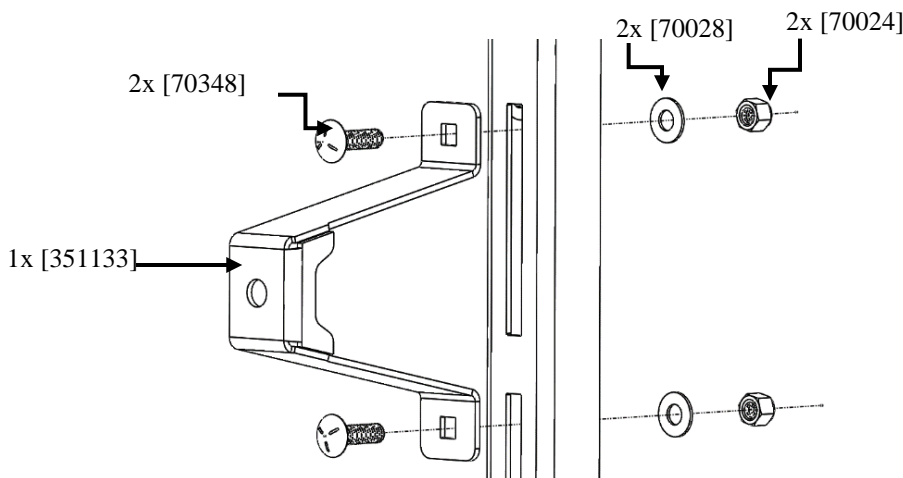


Figure 1: Mounting Tire Bracket

2. Place the mounting bracket in the correct location by placing your tire on the tire supports and then adjusting the bracket vertically until the center hub aligns with the center of the bracket.
3. Once the bracket is in place remove the tire and tighten the hardware holding the bracket in place.
4. Place the tire on the support stands and mount the wheel wedge, using the 5" hex head bolt, washer and star washer. Reference Figure 4 and 5.



NOTE: Tighten down bolt until snug with wedge (it should be very hard/near impossible to rotate the wedge by hand. Once at this point tighten 2 more full rotations.)

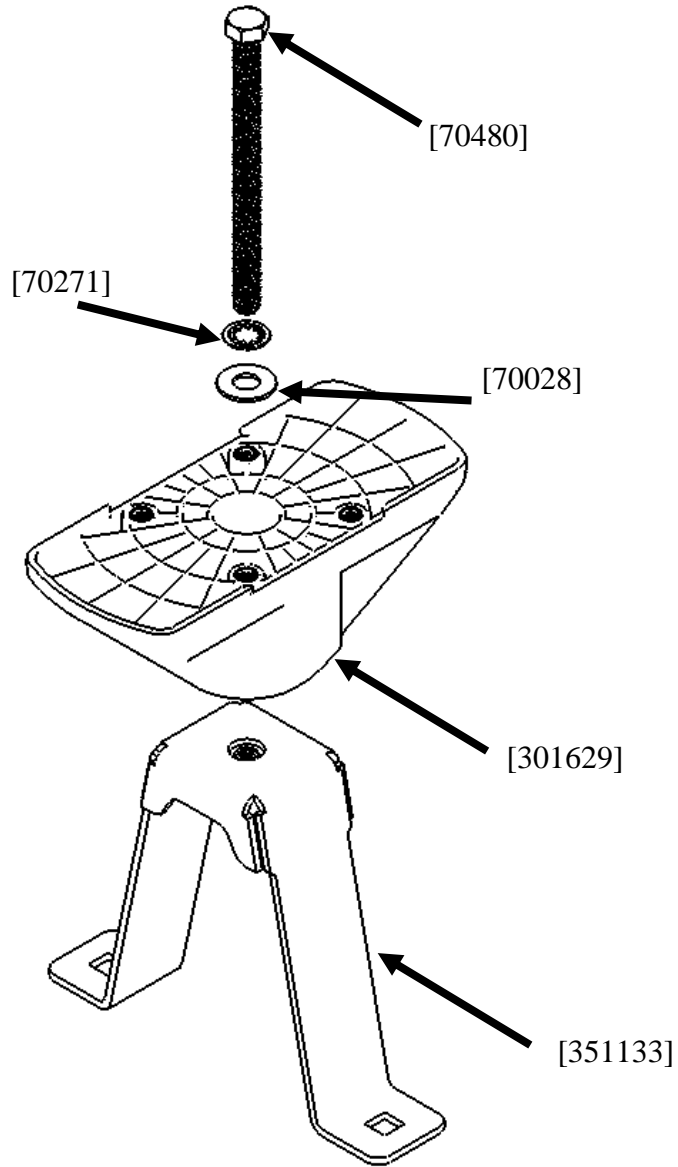


Figure 4: Wheel Wedge Assembly



Figure 5: Tire Mount Assembled

5. [Optional] If desired, you can mount a Rotopax to the wheel wedge. Before installing the cover [Step 10] first, bolt the rotopax mount to the wheel wedge using the security bolts [70478], as shown below in figure 6. Then simply install the rotopax onto the mount. The cover will not be used if using the rotopax mount.



Figure 6: Rotopax Mount

6. Once everything is securely fastened, bolt the cover to the wheel wedge using the included special bit [70479], and bolts [70478]. Reference Figure 6.
7. Check mounting hardware after first 100 miles of driving and periodically thereafter.
8. Your new Aluminess bumper is now installed, Enjoy!

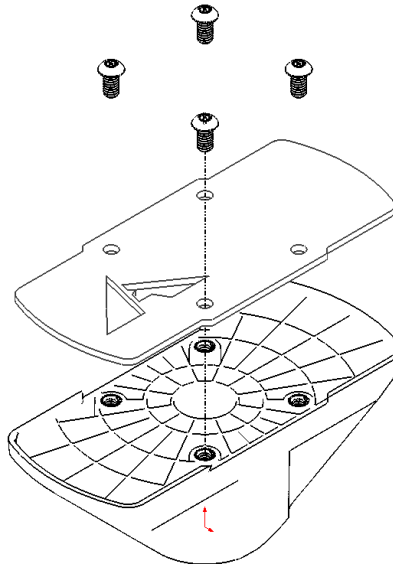


Figure 6: Wheel Wedge, Cover Mounting

General Torque Values			
Size	Stainless Steel	Zinc	Grade 8
#6-32	10 lb-ft	--	--
#8-32	18.4 lb-ft	--	--
#10-32	26.6 lb-ft	--	--
1/4"-20	5.3 lb-ft	7.8 lb-ft	9 lb-ft
5/16"-18	10.9 lb-ft	16 lb-ft	18 lb-ft
3/8"-16	19.4 lb-ft	28.3 lb-ft	33 lb-ft
7/16"-14	31 lb-ft	45 lb-ft	52 lb-ft
1/2"-13	47 lb-ft	69 lb-ft	80 lb-ft
M6	4.7 lb-ft	5.8 lb-ft	--
M8	11.3 lb-ft	14.1 lb-ft	--
M10	22.3 lb-ft	27.9 lb-ft	--
M12	38.9 lb-ft	48.7 lb-ft	--



Aluminess Products, Inc. (Aluminess) Warranty

1. Lifetime Warranty. Aluminess provides a lifetime warranty of its products to the original retail purchaser provided such products are installed correctly according to the official Aluminess installation instructions. Any modification to the original product design, function or use of any Aluminess products will void the Aluminess warranty. Aluminess will have sole discretion to determine warranty eligibility for any and all Aluminess products sold to any purchaser.
2. Limited Remedies. Subject to any limitations and exclusions described herein, and subject to Aluminess' determination of warranty eligibility, Aluminess will remedy defects in product materials and/or workmanship of any product by repairing or replacing such defective product, which shall be within Aluminess' sole discretion, without charge for parts or labor. Aluminess may elect in its sole discretion not to replace a defective product and issue the purchaser a refund equal to the purchase price of any defective product or purchaser may elect to receive a credit (equal to such refund) toward the purchase of new Aluminess products. Repair or replacement of a defective product or providing a refund or credit to purchaser will be purchaser's exclusive remedy under this warranty. Damage to a purchaser's vehicle, cargo and/or any other person or property is expressly excluded from the Aluminess warranty.
3. Modification. Aluminess products are designed to be mounted to factory equipped vehicles. Aftermarket additions to such vehicle may or may not require modification of an Aluminess product. The Aluminess warranty does not extend to any Aluminess products that are modified to fit around other otherwise accommodate or be compatible with any aftermarket vehicle accessories or alterations. Aluminess does not guarantee fitment with any other aftermarket accessories or modified vehicle, and it is up to purchaser to determine fitment prior to purchasing any Aluminess product.
4. Damage. Damage to Aluminess products due to normal wear and tear, including, but not limited to, cosmetic issues and superficial scratches, or structural damage to an Aluminess product in connection with any vehicle collisions or other structural degradation in connection with the use of such vehicle (on road or off road) will not be covered by the Aluminess warranty. Additionally, any product user's misuse, neglect, overloading, improper maintenance or improper installation or repair of any Aluminess products are not covered under the Aluminess warranty.
5. Use of the Products. Aluminess products are designed for off road vehicle use. Installing Aluminess products on a vehicle may exceed the factory designed capabilities of such vehicle and could potentially lead to vehicle damage. Aluminess will not be responsible for any damage caused to a purchaser or user's vehicle or any vehicle accessories caused by the use of any Aluminess products. It is to the sole responsibility of purchaser to inspect and ensure that the intended vehicle and Aluminess products are suitable and compatible for travel on road and off road. No seller nor any manufacturer of Aluminess products will be liable for any loss, damage or injury directly or indirectly arising from the use of any Aluminess products. Before using any Aluminess products, the purchaser or user will determine the suitability of the product(s) for their intended use(s) and the purchaser or user shall assume all responsibility and risk in connection therewith.
6. DISCLAIMER. THE ALUMINESS WARRANTY IS EXPRESSLY MADE IN LIEU OF ANY AND ALL OTHER WARRANTIES, AND EXCEPT FOR THE ALUMINESS WARRANTY SET FORTH HEREIN, ALUMINESS MAKES NO WARRANTY WHATSOEVER WITH RESPECT TO ANY ALUMINESS PRODUCT, INCLUDING ANY WARRANTY OF MERCHANTABILITY AND FITNESS FOR A PARTICULAR PURPOSE, WHETHER EXPRESS OR IMPLIED BY LAW, COURSE OF DEALING, COURSE OF PERFORMANCE, USAGE OF TRADE, OR OTHERWISE.
EXCEPT FOR PURCHASER'S LIMITED REMEDIES SET FORTH HEREIN, IN NO EVENT WILL ALUMINESS BE LIABLE FOR ANY LOST PROFITS, LOST SALES, OR FOR ANY CONSEQUENTIAL, DIRECT, INDIRECT, INCIDENTAL, SPECIAL, EXEMPLARY OR PUNITIVE DAMAGES OR FOR ANY OTHER DAMAGES OF ANY KIND OR NATURE.
7. Compliance. Aluminess cannot guarantee that its products comply with all Federal, State, and/or local laws. Purchaser is advised to review local vehicle codes for compatibility prior to purchase to ensure that the installation and use of any Aluminess products does not violate any applicable laws.
8. Warranty Claim Submission. Purchaser will responsible for returning any defective product to Aluminess for warranty consideration and purchaser may be responsible for all costs associated with shipping the product to and from Aluminess. Prior to returning any product for warranty, purchaser must contact Aluminess Products Inc. for proper authorization.