



# Cruiser Roof Rack Awning Bracket Installation Instructions

P/N 210763: Ford Transit Cruiser Roof Rack Awning Brackets



## Before you begin:

- Read all instructions carefully before beginning installation/assembly.
- Stainless steel (SS) hardware may bind together when tightened – apply the provided anti-seize bolt lubricant to the threads of each stainless steel bolt **before** assembly or tightening.
- These awning brackets are intended to be installed in conjunction with the Aluminess Cruiser Roof Rack system and the Fiamma F45S manual awning. The awning brackets will be easier to install **after** assembly, but **before** the installation of the roof rack onto the vehicle.
- Installation requires two or more people to install the roof rack on top of the vehicle.
- Factory or aftermarket roof tracks must be installed prior to installation (Sprinter specific).
- Unless otherwise specified, refer to the general torque values at the end of the instructions for specified torque values.

## Required Tools:

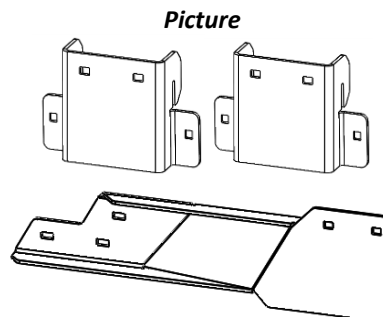
- 7/16" wrench

## Included Hardware:

P/N	Description	Quantity
70364	Carriage bolt, ¼"-20 x ¾", SS, black oxide	10
70373	Carriage bolt, ¼"-20 x 1", SS, black oxide	3
70365	Nylon-locking nut, ¼"-20, SS, black oxide	13
70366	Washer, ¼" ID, SS, black oxide	13
70246	Anti-Seize Packet	1

## Additional Parts:

PN	Description	Quantity
351182	Awning Bracket	2
351184	Awning Bracket, Transit Front	1





**Awning and Awning Bracket Installation:**

1. Reference the full installation instructions of the Cruiser Roof Rack for a step-by-step assembly and installation procedure. These instructions are for the *supplemental awning brackets only*.
2. Remove the front three (3) carriage bolts on the side of the air dam as indicated in Figure 1.

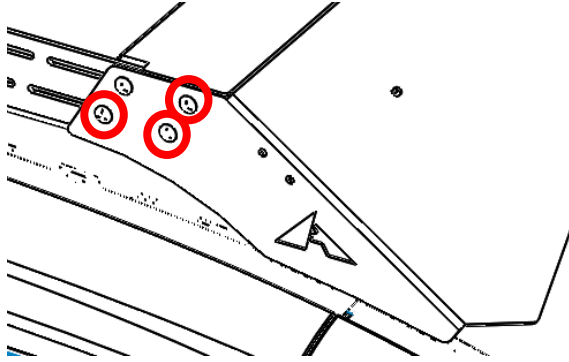


Figure 1: Remove Carriage Bolts from Side of Air Dam

1. Install the front awning bracket (PN 351184) using the provided 1/4"-20 x 1" carriage bolts, nuts, and washers (Figure 2). Ensure bracket is level with rack before tightening all carriage bolts.

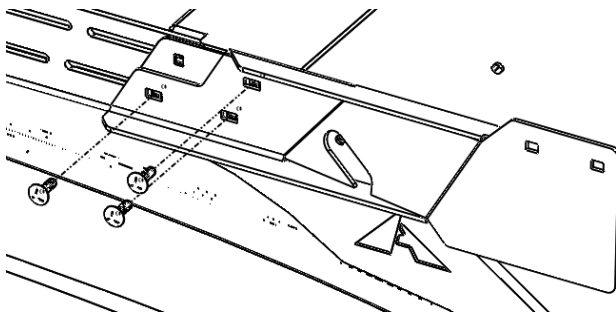


Figure 2: Installation of Front Awning Bracket

2. Hook one of the awning brackets (351182) over the top of the side rail and position it near the rear of the rack. The exact position along the side rail should be in accordance with the awning manufacturer's spacing recommendation (Figure 3).

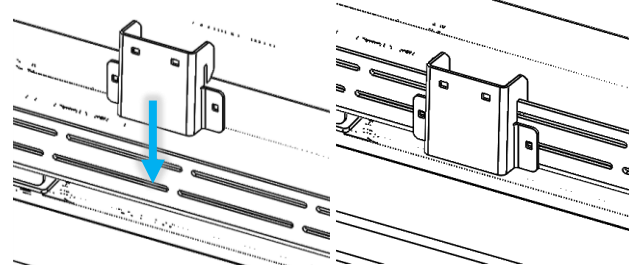


Figure 3: Installation of Rear Mounting Brackets

3. Once the correct spacing along the side of the vehicle has been determined, install the provided carriage bolts through the awning bracket and the side rail of the roof rack (Figure 4). Fasten with the accompanying washer and nylon-locking nuts. The hardware can be installed in either direction.

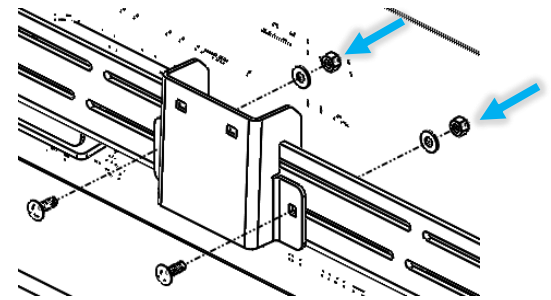


Figure 4: Awning Bracket Hardware Installation

4. Attach manufacturer's awning bracket to the Aluminess awning bracket (PN 351182) using the provided 1/4"-20 x 3/4" carriage bolts, washer, and nylon-locking nuts provided (Figure 5).

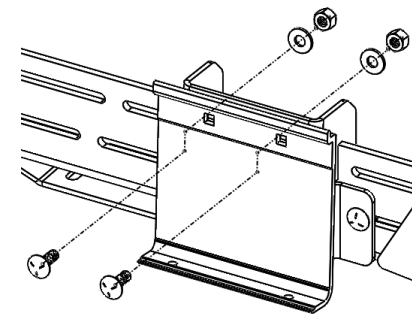


Figure 5: Installation of Manufacturer's Awning Bracket

NOTE: Due to the tight spacing between the awning and the manufacturer's awning bracket, the hardware must be installed in the direction shown in Figure 5. The washer and nut should be placed on the backside of the Aluminess brackets.



5. Install the remaining awning bracket onto roof rack by repeating Steps 2 through 4. Use the manufacturer's recommendations to correctly space the awning brackets along the roof rack.

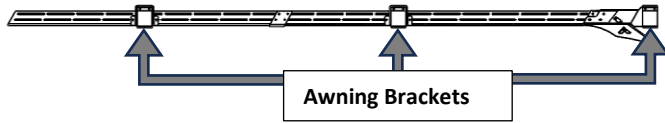


Figure 6: Side View of Awning Bracket Installation

6. Complete the awning installation per the manufacturer's instructions.
7. Install the roof rack onto the vehicle using the separately provided installation instructions (if not done so already).
8. Check all mounting hardware after the first 100 miles of driving and periodically thereafter.

9. The roof rack and awning are now ready to use. Enjoy!

General Torque Values			
Size	Stainless Steel	Zinc	Grade 8
#6-32	10 lb-ft	--	--
#8-32	18.4 lb-ft	--	--
#10-32	26.6 lb-ft	--	--
1/4"-20	5.3 lb-ft	7.8 lb-ft	9 lb-ft
5/16"-18	10.9 lb-ft	16 lb-ft	18 lb-ft
3/8"-16	19.4 lb-ft	28.3 lb-ft	33 lb-ft
7/16"-14	31 lb-ft	45 lb-ft	52 lb-ft
1/2"-13	47 lb-ft	69 lb-ft	80 lb-ft
M6	4.7 lb-ft	5.8 lb-ft	--
M8	11.3 lb-ft	14.1 lb-ft	--
M10	22.3 lb-ft	27.9 lb-ft	--
M12	38.9 lb-ft	48.7 lb-ft	--



Aluminess Products, Inc. (Aluminess) Warranty

1. Lifetime Warranty. Aluminess provides a lifetime warranty of its products to the original retail purchaser provided such products are installed correctly according to the official Aluminess installation instructions. Any modification to the original product design, function or use of any Aluminess products will void the Aluminess warranty. Aluminess will have sole discretion to determine warranty eligibility for any and all Aluminess products sold to any purchaser.
2. Limited Remedies. Subject to any limitations and exclusions described herein, and subject to Aluminess' determination of warranty eligibility, Aluminess will remedy defects in product materials and/or workmanship of any product by repairing or replacing such defective product, which shall be within Aluminess' sole discretion, without charge for parts or labor. Aluminess may elect in its sole discretion not to replace a defective product and issue the purchaser a refund equal to the purchase price of any defective product or purchaser may elect to receive a credit (equal to such refund) toward the purchase of new Aluminess products. Repair or replacement of a defective product or providing a refund or credit to purchaser will be purchaser's exclusive remedy under this warranty. Damage to a purchaser's vehicle, cargo and/or any other person or property is expressly excluded from the Aluminess warranty.
3. Modification. Aluminess products are designed to be mounted to factory equipped vehicles. Aftermarket additions to such vehicle may or may not require modification of an Aluminess product. The Aluminess warranty does not extend to any Aluminess products that are modified to fit around other otherwise accommodate or be compatible with any aftermarket vehicle accessories or alterations. Aluminess does not guarantee fitment with any other aftermarket accessories or modified vehicle, and it is up to purchaser to determine fitment prior to purchasing any Aluminess product.
4. Damage. Damage to Aluminess products due to normal wear and tear, including, but not limited to, cosmetic issues and superficial scratches, or structural damage to an Aluminess product in connection with any vehicle collisions or other structural degradation in connection with the use of such vehicle (on road or off road) will not be covered by the Aluminess warranty. Additionally, any product user's misuse, neglect, overloading, improper maintenance or improper installation or repair of any Aluminess products are not covered under the Aluminess warranty.
5. Use of the Products. Aluminess products are designed for off road vehicle use. Installing Aluminess products on a vehicle may exceed the factory designed capabilities of such vehicle and could potentially lead to vehicle damage. Aluminess will not be responsible for any damage caused to a purchaser or user's vehicle or any vehicle accessories caused by the use of any Aluminess products. It is to the sole responsibility of purchaser to inspect and ensure that the intended vehicle and Aluminess products are suitable and compatible for travel on road and off road. No seller nor any manufacturer of Aluminess products will be liable for any loss, damage or injury directly or indirectly arising from the use of any Aluminess products. Before using any Aluminess products, the purchaser or user will determine the suitability of the product(s) for their intended use(s) and the purchaser or user shall assume all responsibility and risk in connection therewith.
6. DISCLAIMER. THE ALUMINESS WARRANTY IS EXPRESSLY MADE IN LIEU OF ANY AND ALL OTHER WARRANTIES, AND EXCEPT FOR THE ALUMINESS WARRANTY SET FORTH HEREIN, ALUMINESS MAKES NO WARRANTY WHATSOEVER WITH RESPECT TO ANY ALUMINESS PRODUCT, INCLUDING ANY WARRANTY OF MERCHANTABILITY AND FITNESS FOR A PARTICULAR PURPOSE, WHETHER EXPRESS OR IMPLIED BY LAW, COURSE OF DEALING, COURSE OF PERFORMANCE, USAGE OF TRADE, OR OTHERWISE.  
  
EXCEPT FOR PURCHASER'S LIMITED REMEDIES SET FORTH HEREIN, IN NO EVENT WILL ALUMINESS BE LIABLE FOR ANY LOST PROFITS, LOST SALES, OR FOR ANY CONSEQUENTIAL, DIRECT, INDIRECT, INCIDENTAL, SPECIAL, EXEMPLARY OR PUNITIVE DAMAGES OR FOR ANY OTHER DAMAGES OF ANY KIND OR NATURE.
7. Compliance. Aluminess cannot guarantee that its products comply with all Federal, State, and/or local laws. Purchaser is advised to review local vehicle codes for compatibility prior to purchase to ensure that the installation and use of any Aluminess products does not violate any applicable laws.
8. Warranty Claim Submission. Purchaser will responsible for returning any defective product to Aluminess for warranty consideration and purchaser may be responsible for all costs associated with shipping the product to and from Aluminess. Prior to returning any product for warranty, purchaser must contact Aluminess Products Inc. for proper authorization.