



# Recon Roof Rack Awning Bracket Installation Instructions

P/N 210763: Ford Transit Recon Roof Rack Awning Brackets



## Before you begin:

- Read all instructions carefully before beginning installation/assembly.
- Stainless steel (SS) hardware may bind together when tightened – apply the provided anti-seize bolt lubricant to the threads of each stainless steel bolt **before** assembly or tightening.
- These awning brackets are intended to be installed in conjunction with the Aluminess Recon Roof Rack system and the Fiamma F45S manual awning. The awning brackets will be easier to install **after** assembly, but **before** the installation of the roof rack onto the vehicle.
- Installation requires two or more people to install the roof rack on top of the vehicle.
- Factory or aftermarket roof tracks must be installed prior to installation (Sprinter specific).
- Unless otherwise specified, refer to the general torque values at the end of the instructions for specified torque values.

## Required Tools:

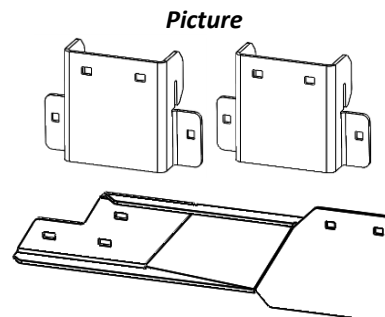
- 7/16" wrench

## Included Hardware:

P/N	Description	Quantity
70364	Carriage bolt, ¼"-20 x ¾", SS, black oxide	10
70373	Carriage bolt, ¼"-20 x 1", SS, black oxide	3
70365	Nylon-locking nut, ¼"-20, SS, black oxide	13
70366	Washer, ¼" ID, SS, black oxide	13
70246	Anti-Seize Packet	1

## Additional Parts:

PN	Description	Quantity
351182	Awning Bracket	2
351184	Awning Bracket, Transit Front	1





**Awning and Awning Bracket Installation:**

1. Reference the full installation instructions of the Recon Roof Rack for a step-by-step assembly and installation procedure. These instructions are for the *supplemental awning brackets only*.
2. Remove the front three (3) carriage bolts on the side of the air dam as indicated in Figure 1.

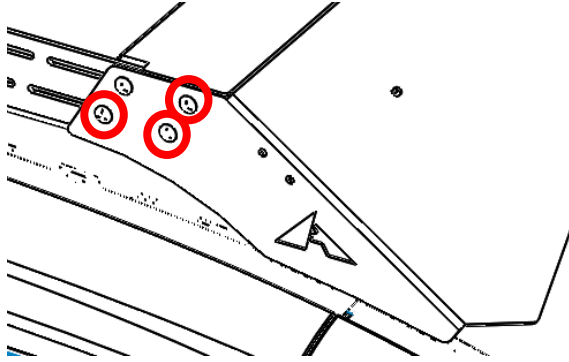


Figure 1: Remove Carriage Bolts from Side of Air Dam

1. Install the front awning bracket (PN 351184) using the provided 1/4"-20 x 1" carriage bolts, nuts, and washers (Figure 2). Ensure bracket is level with rack before tightening all carriage bolts.

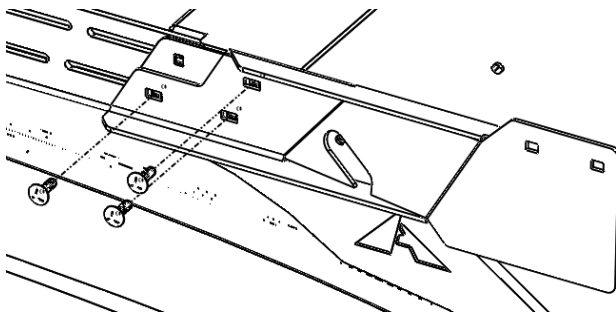


Figure 2: Installation of Front Awning Bracket

2. Hook one of the awning brackets (351182) over the top of the side rail and position it near the rear of the rack. The exact position along the side rail should be in accordance with the awning manufacturer's spacing recommendation (Figure 3).

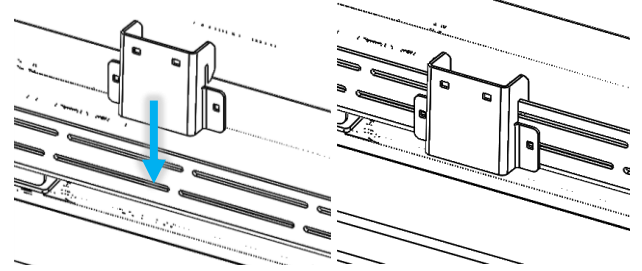


Figure 3: Installation of Rear Mounting Brackets

3. Once the correct spacing along the side of the vehicle has been determined, install the provided carriage bolts through the awning bracket and the side rail of the roof rack (Figure 4). Fasten with the accompanying washer and nylon-locking nuts. The hardware can be installed in either direction.

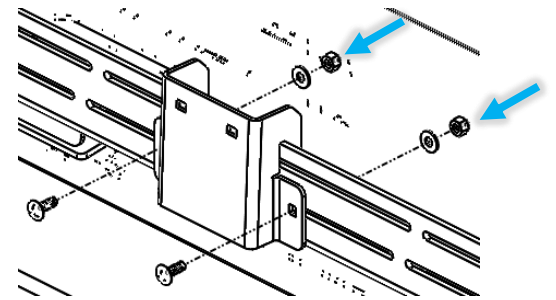


Figure 4: Awning Bracket Hardware Installation

4. Attach manufacturer's awning bracket to the Aluminess awning bracket (PN 351182) using the provided 1/4"-20 x 3/4" carriage bolts, washer, and nylon-locking nuts provided (Figure 5).

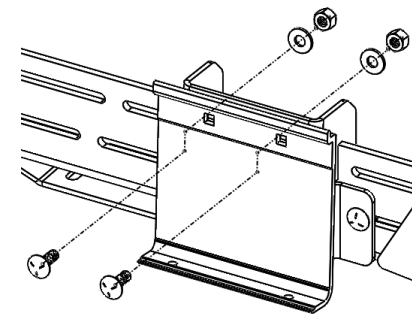


Figure 5: Installation of Manufacturer's Awning Bracket

**NOTE:** Due to the tight spacing between the awning and the manufacturer's awning bracket, the hardware must be installed in the direction shown in Figure 5. The washer and nut should be placed on the backside of the Aluminess brackets.



5. Install the remaining awning bracket onto roof rack by repeating Steps 2 through 4. Use the manufacturer's recommendations to correctly space the awning brackets along the roof rack.

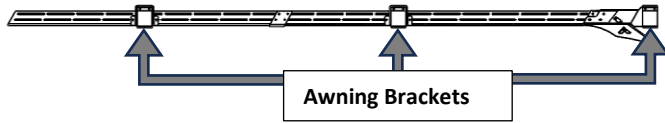


Figure 6: Side View of Awning Bracket Installation

6. Complete the awning installation per the manufacturer's instructions.
7. Install the roof rack onto the vehicle using the separately provided installation instructions (if not done so already).
8. Check all mounting hardware after the first 100 miles of driving and periodically thereafter.

9. The roof rack and awning are now ready to use. Enjoy!

General Torque Values			
Size	Stainless Steel	Zinc	Grade 8
#6-32	10 lb-ft	--	--
#8-32	18.4 lb-ft	--	--
#10-32	26.6 lb-ft	--	--
1/4"-20	5.3 lb-ft	7.8 lb-ft	9 lb-ft
5/16"-18	10.9 lb-ft	16 lb-ft	18 lb-ft
3/8"-16	19.4 lb-ft	28.3 lb-ft	33 lb-ft
7/16"-14	31 lb-ft	45 lb-ft	52 lb-ft
1/2"-13	47 lb-ft	69 lb-ft	80 lb-ft
M6	4.7 lb-ft	5.8 lb-ft	--
M8	11.3 lb-ft	14.1 lb-ft	--
M10	22.3 lb-ft	27.9 lb-ft	--
M12	38.9 lb-ft	48.7 lb-ft	--