

LADDER INSTALLATION INSTRUCTIONS **2003-2020 Chevy Express/GMC Savana Van**

Please read before beginning

- *Stainless steel hardware may bind together when tightening—It is recommended that you apply an anti-seize assembly lubricant to the threads of each bolt before assembly*
- *This installation is easier with two people*

Required tools

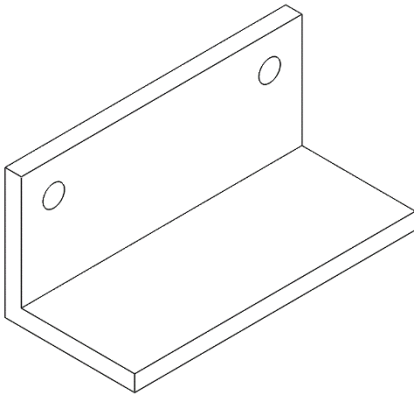
- Standard wrench set
- Drill and 1/4" drill bit
- C-clamps



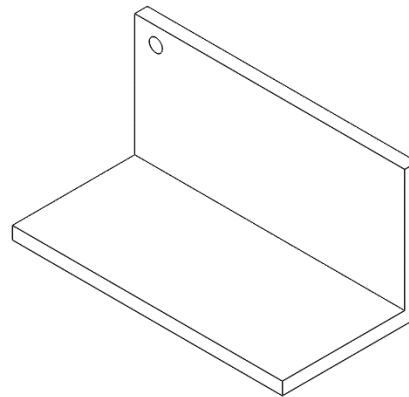
Included hardware

Quantity

- | | |
|--|----|
| • 300198 – Ladder clip, 1/4"-20 studs | 2 |
| • 310111 – Angle bracket | 1 |
| • 70008 – 1/4"-20 Stainless steel nuts with nylon insert | 12 |
| • 70009 – 1/4" ID Stainless steel washers | 20 |
| • 70060 – 1/4"-20 x 1" Stainless steel button head bolts | 8 |
| • Antiseize Packet, 2g | 1 |



Ladder clip, 1/4" x 2
 With Studs 1/4-20



Angle bracket x 1



Assembly instructions

1. Rest the ladder in the desired location on the side of the van (it's helpful to place painter's tape where the ladder will rest). Clamp the 1"x 2" ladder clips with a C-Clamp to the bottom side of the drip rail.



2. Leaving the clips clamped, drill a 1/4" hole through the ladder clip and the drip rail approximately in the center (See Figure 1).



3. (Remove the painter's tape if applicable) Using the supplied 1/4" hardware, place one button head bolt (70060) through the clip and through the drip rail. Place the 1/4" washer and 1/4"-20 nut on the bolt and tighten down using a wrench. Repeat the same process on the second clip.
4. Place the ladder on the ladder clip studs. The slotted holes on the mounting pad will slide over the studs.
5. On each stud, place one 1/4" washer (70009) and 1/4"-20 nut (70008). Do not tighten them all the way down yet.



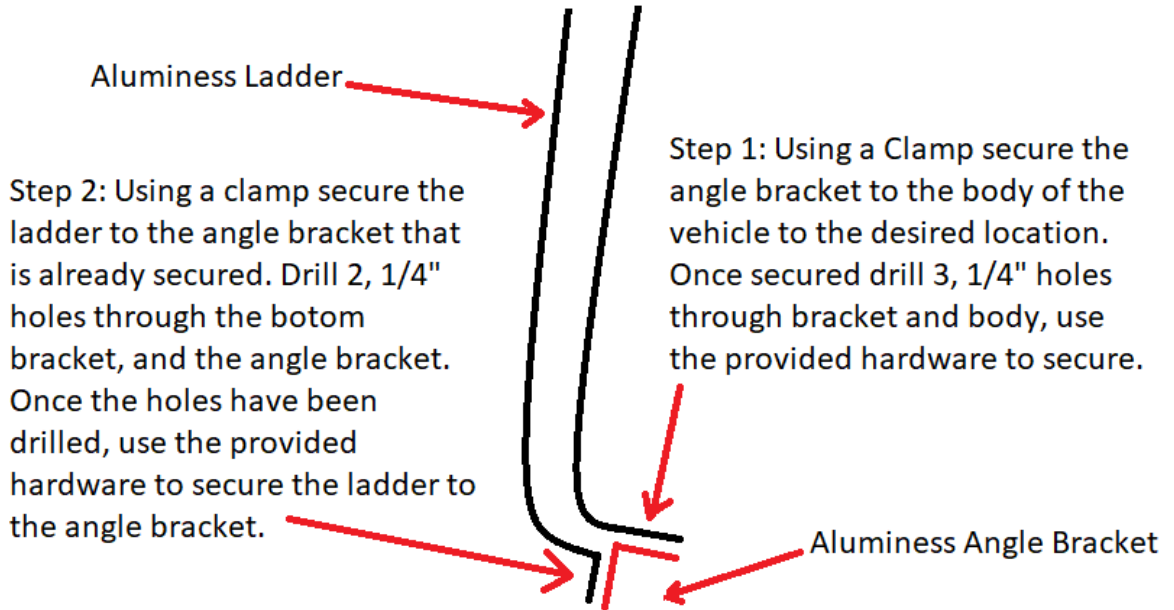
6. Clamp the angle bracket to the pinch weld on the fender of the van, and check for straightness



(See Figure 2)

Figure 2.

Bottom Portion Installation Guide



7. Drill through the pinch weld and angle bracket in three places (spaced apart but not in any specific location) and insert the supplied 1/4" hardware through these holes, tightening down the nuts.
8. Tighten the nuts on the ladder clips.



Aluminess Products, Inc. (Aluminess) Warranty

1. Lifetime Warranty. Aluminess provides a lifetime warranty of its products to the original retail purchaser provided such products are installed correctly according to the official Aluminess installation instructions. Any modification to the original product design, function or use of any Aluminess products will void the Aluminess warranty. Aluminess will have sole discretion to determine warranty eligibility for any and all Aluminess products sold to any purchaser.
2. Limited Remedies. Subject to any limitations and exclusions described herein, and subject to Aluminess' determination of warranty eligibility, Aluminess will remedy defects in product materials and/or workmanship of any product by repairing or replacing such defective product, which shall be within Aluminess' sole discretion, without charge for parts or labor. Aluminess may elect in its sole discretion not to replace a defective product and issue the purchaser a refund equal to the purchase price of any defective product or purchaser may elect to receive a credit (equal to such refund) toward the purchase of new Aluminess products. Repair or replacement of a defective product or providing a refund or credit to purchaser will be purchaser's exclusive remedy under this warranty. Damage to a purchaser's vehicle, cargo and/or any other person or property is expressly excluded from the Aluminess warranty.
3. Modification. Aluminess products are designed to be mounted to factory equipped vehicles. Aftermarket additions to such vehicle may or may not require modification of an Aluminess product. The Aluminess warranty does not extend to any Aluminess products that are modified to fit around other otherwise accommodate or be compatible with any aftermarket vehicle accessories or alterations. Aluminess does not guarantee fitment with any other aftermarket accessories or modified vehicle, and it is up to purchaser to determine fitment prior to purchasing any Aluminess product.
4. Damage. Damage to Aluminess products due to normal wear and tear, including, but not limited to, cosmetic issues and superficial scratches, or structural damage to an Aluminess product in connection with any vehicle collisions or other structural degradation in connection with the use of such vehicle (on road or off road) will not be covered by the Aluminess warranty. Additionally, any product user's misuse, neglect, overloading, improper maintenance or improper installation or repair of any Aluminess products are not covered under the Aluminess warranty.
5. Use of the Products. Aluminess products are designed for off road vehicle use. Installing Aluminess products on a vehicle may exceed the factory designed capabilities of such vehicle and could potentially lead to vehicle damage. Aluminess will not be responsible for any damage caused to a purchaser or user's vehicle or any vehicle accessories caused by the use of any Aluminess products. It is to the sole responsibility of purchaser to inspect and ensure that the intended vehicle and Aluminess products are suitable and compatible for travel on road and off road. No seller nor any manufacturer of Aluminess products will be liable for any loss, damage or injury directly or indirectly arising from the use of any Aluminess products. Before using any Aluminess products, the purchaser or user will determine the suitability of the product(s) for their intended use(s) and the purchaser or user shall assume all responsibility and risk in connection therewith.
6. DISCLAIMER. THE ALUMINESS WARRANTY IS EXPRESSLY MADE IN LIEU OF ANY AND ALL OTHER WARRANTIES, AND EXCEPT FOR THE ALUMINESS WARRANTY SET FORTH HEREIN, ALUMINESS MAKES NO WARRANTY WHATSOEVER WITH RESPECT TO ANY ALUMINESS PRODUCT, INCLUDING ANY WARRANTY OF MERCHANTABILITY AND FITNESS FOR A PARTICULAR PURPOSE, WHETHER EXPRESS OR IMPLIED BY LAW, COURSE OF DEALING, COURSE OF PERFORMANCE, USAGE OF TRADE, OR OTHERWISE.
EXCEPT FOR PURCHASER'S LIMITED REMEDIES SET FORTH HEREIN, IN NO EVENT WILL ALUMINESS BE LIABLE FOR ANY LOST PROFITS, LOST SALES, OR FOR ANY CONSEQUENTIAL, DIRECT, INDIRECT, INCIDENTAL, SPECIAL, EXEMPLARY OR PUNITIVE DAMAGES OR FOR ANY OTHER DAMAGES OF ANY KIND OR NATURE.
7. Compliance. Aluminess cannot guarantee that its products comply with all Federal, State, and/or local laws. Purchaser is advised to review local vehicle codes for compatibility prior to purchase to ensure that the installation and use of any Aluminess products does not violate any applicable laws.
8. Warranty Claim Submission. Purchaser will responsible for returning any defective product to Aluminess for warranty consideration and purchaser may be responsible for all costs associated with shipping the product to and from Aluminess. Prior to returning any product for warranty, purchaser must contact Aluminess Products Inc. for proper authorization.

