

REAR BUMPER INSTALLATION INSTRUCTIONS **2007-2018 Mercedes Sprinter**

Please read before beginning

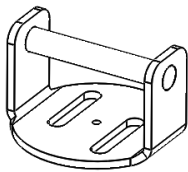
- *Stainless steel hardware may bind together when tightening—It is recommended that you apply an anti-seize assembly lubricant to the threads of each bolt before assembly*
- *This installation requires two people*

Required tools

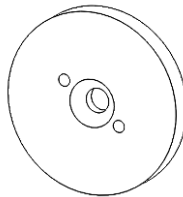
- Standard and metric wrench set
- Allen wrench set
- Torx-head (6-point star) wrench set
- Flat-head screwdriver (used to remove stock plastic fasteners)
- Phillips-head Screwdriver



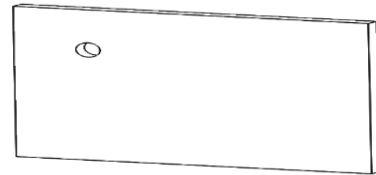
Included Parts/Subassemblies



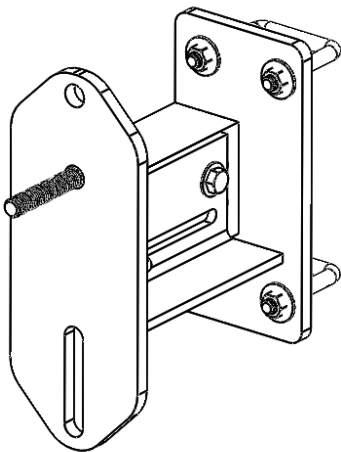
x2
Door Latch Pin



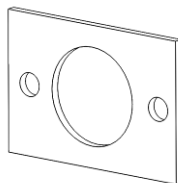
x2
Door Latch Pin Mounting Plate



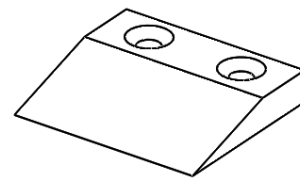
x2
Inner Door Mounting Plate



x1
Tire Plate Assembly



x4
Parking Sensor Brackets (if applicable)



x2
Plastic Support Ramp (pre-installed)

Included Hardware

Quantity

• 70185—7/16-14 x 4 ½" Hex Head bolts	8
• 70056---7/16-14 Nylock Nuts	8
• 70057---7/16 Flat Washers	16
• Upper Door Latch Assembly (pre-assembled with the below hardware)	
○ 70030—3/8-16 x 1.5" Countersunk Head Bolt	2
○ 70024---3/8-16 Nylock Nuts	2
○ 70028---3/8" Flat Washers	2
○ 70223—1/4-20 x .5" Button Head	4
○ 70010 – Star Locking Washer	4
• Tire Plate Assembly (pre-assembled with the below hardware)	
○ 70029 – 3/8-16 x 1 ¼" Hex Head Bolt, SS	2
○ 70028 – 3/8" Flat Washers	8
○ 70024 – 3/8-16 Nylock Nut	6
○ 70704 – 2 ¼" x 3" Square U-Bolt, SS	2
• Antiseize Packet, 2g	1

Assembly instructions

1. Your new Aluminess Rear Bumper will work with the factory plastic bumper. This is to ensure proper function of lane change sensors if your vehicle is equipped with them.
2. If you have a factory step bumper or a receiver you will need to remove them when you are completing the following steps to install the Aluminess Hitch. The plastic step on step bumpers will need to be trimmed off to fit your new Aluminess Bumper.
3. Your Aluminess bumper and hitch will most likely ship completely assembled. If it is not fully assembled then bolt the bumper to the hitch using the ½" hardware going from the back of the bumper into the hitch, and the 3/8" hardware going from the top of the bumper to the top of the swing arm plate.
 - a. Ensure that you mount your license plate and license plate light *before* you install the bumper, as it will be near impossible to install the license plate after the bumper is installed.
4. With someone assisting you by holding up the trailer hitch and bumper assembly, mount the hitch to the frame using the 7/16" Bolts. If your Sprinter has the factory backing plate you can retain it and use it to shim the spacing of the bumper blades to fit snugly between the vehicle's frame and the Aluminess bumper. It is important that the bumper fits snugly between the frame rails for proper alignment of the swing arms once everything is tightened. If the bumper fits snugly on the vehicle without the backing plates used as shims, the backing plate can then be used with the washers on the inside of the frame.
 - a. The provided 7/16" bolts **must be used** to ensure proper alignment on the vehicle.
 - b. Some sprinters have only 3 bolts supporting the hitch in which case a 4th hole will need to be drilled. Fasten down the provided bolt for this additional hole that needs to be drilled.
5. You may have to push the exhaust out of the way in order to slide the passenger side bracket assembly, so **make sure that the car is off, and wait an ample time after running the engine to ensure that the exhaust pipe is cold— otherwise you risk burning yourself!**



Figure 2: Aluminess Hitch with Factory Backing Plate on the Inside of the Frame

6. Make sure the bumper is slid as far to the rear of the vehicle as possible. You will also need to keep the bolts loose at this time so that the bumper can pivot forward and back.
7. You will now remove the interior door panel on the back door to gain access to the magnet mounting bolt. To do this gently pry around the corners of the plastic to pop it off the fasteners.
8. With the door panels removed you will have access to the door magnet bolt on the Driver Side. Remove the door magnet.
9. Replace the magnet with the supplied Aluminess Latch Pin Mounting Plate that has the countersunk hole in the middle of it. It helps to have the latch pin attached to the mounting plate so you can align the pin horizontally when installing it on the door. This mounting plate will bolt through the door and the supplied Inner Door Mounting Plate.
10. On the passenger side you will need to remove the torx bolts that hold on the door handle before you can access the door magnet bolt.
11. Once the latch pin is sitting horizontal you can snug the 3/8" bolt on the inside of the door.
12. You can now put the door panels back on the van door. If any of the fasteners were left in the door you will need to remove them and slide them into the door panel slots before you can snap the door panel back on.
13. With the Latch Pin in place on the door you can close the van doors and close the swing arms on the bumper.
14. Make sure the latch pin is loose on the Latch pin mounting plate so that it can slide up and down.
15. You can now pivot the bumper towards the van until the latch on the swing arm engages with the latch pin on the door. Once the latch is engaged with the latch pin the bumper is aligned correctly.
16. Tighten all of the 7/16" bolts that hold the hitch to the frame to 63 ft-lbs.



17. With 7/16" bolts tightened, the bumper is now locked in place. You can open the swing arms and tighten the latch pin that is mounted to the door.
18. If you have a hitch wiring electrical box on your vehicle, you can bolt it to the front face of the Aluminess bumper with the original hardware that mounted it to the stock hitch. There are two holes on either side of the provided receiver hitch. You can bolt the electrical box through one of these holes.
19. It is important to keep the latch holding the swing arm to the door when the vehicle is in motion. This upper support helps keep everything stable and solid.
20. When installing your tire to the tire rack swing arm (if applicable), be sure to place the tire so that it rests on the two support arms before tightening anything down (**see Figure 3**)
21. The bumper is now installed—check the mounting hardware after 100 miles of driving to ensure that nothing has come loose due to vibration



Figure 3. Rest tire on both support arms (before tightening the lugs or ubolts down).

Aluminess Products, Inc. (Aluminess) Warranty

1. Lifetime Warranty. Aluminess provides a lifetime warranty of its products to the original retail purchaser provided such products are installed correctly according to the official Aluminess installation instructions. Any modification to the original product design, function or use of any Aluminess products will void the Aluminess warranty. Aluminess will have sole discretion to determine warranty eligibility for any and all Aluminess products sold to any purchaser.
2. Limited Remedies. Subject to any limitations and exclusions described herein, and subject to Aluminess' determination of warranty eligibility, Aluminess will remedy defects in product materials and/or workmanship of any product by repairing or replacing such defective product, which shall be within Aluminess' sole discretion, without charge for parts or labor. Aluminess may elect in its sole discretion not to replace a defective product and issue the purchaser a refund equal to the purchase price of any defective product or purchaser may elect to receive a credit (equal to such refund) toward the purchase of new Aluminess products. Repair or replacement of a defective product or providing a refund or credit to purchaser will be purchaser's exclusive remedy under this warranty. Damage to a purchaser's vehicle, cargo and/or any other person or property is expressly excluded from the Aluminess warranty.
3. Modification. Aluminess products are designed to be mounted to factory equipped vehicles. Aftermarket additions to such vehicle may or may not require modification of an Aluminess product. The Aluminess warranty does not extend to any Aluminess products that are modified to fit around other otherwise accommodate or be compatible with any aftermarket vehicle accessories or alterations. Aluminess does not guarantee fitment with any other aftermarket accessories or modified vehicle, and it is up to purchaser to determine fitment prior to purchasing any Aluminess product.
4. Damage. Damage to Aluminess products due to normal wear and tear, including, but not limited to, cosmetic issues and superficial scratches, or structural damage to an Aluminess product in connection with any vehicle collisions or other structural degradation in connection with the use of such vehicle (on road or off road) will not be covered by the Aluminess warranty. Additionally, any product user's misuse, neglect, overloading, improper maintenance or improper installation or repair of any Aluminess products are not covered under the Aluminess warranty.
5. Use of the Products. Aluminess products are designed for off road vehicle use. Installing Aluminess products on a vehicle may exceed the factory designed capabilities of such vehicle and could potentially lead to vehicle damage. Aluminess will not be responsible for any damage caused to a purchaser or user's vehicle or any vehicle accessories caused by the use of any Aluminess products. It is to the sole responsibility of purchaser to inspect and ensure that the intended vehicle and Aluminess products are suitable and compatible for travel on road and off road. No seller nor any manufacturer of Aluminess products will be liable for any loss, damage or injury directly or indirectly arising from the use of any Aluminess products. Before using any Aluminess products, the purchaser or user will determine the suitability of the product(s) for their intended use(s) and the purchaser or user shall assume all responsibility and risk in connection therewith.
6. DISCLAIMER. THE ALUMINESS WARRANTY IS EXPRESSLY MADE IN LIEU OF ANY AND ALL OTHER WARRANTIES, AND EXCEPT FOR THE ALUMINESS WARRANTY SET FORTH HEREIN, ALUMINESS MAKES NO WARRANTY WHATSOEVER WITH RESPECT TO ANY ALUMINESS PRODUCT, INCLUDING ANY WARRANTY OF MERCHANTABILITY AND FITNESS FOR A PARTICULAR PURPOSE, WHETHER EXPRESS OR IMPLIED BY LAW, COURSE OF DEALING, COURSE OF PERFORMANCE, USAGE OF TRADE, OR OTHERWISE.
EXCEPT FOR PURCHASER'S LIMITED REMEDIES SET FORTH HEREIN, IN NO EVENT WILL ALUMINESS BE LIABLE FOR ANY LOST PROFITS, LOST SALES, OR FOR ANY CONSEQUENTIAL, DIRECT, INDIRECT, INCIDENTAL, SPECIAL, EXEMPLARY OR PUNITIVE DAMAGES OR FOR ANY OTHER DAMAGES OF ANY KIND OR NATURE.
7. Compliance. Aluminess cannot guarantee that its products comply with all Federal, State, and/or local laws. Purchaser is advised to review local vehicle codes for compatibility prior to purchase to ensure that the installation and use of any Aluminess products does not violate any applicable laws.
8. Warranty Claim Submission. Purchaser will responsible for returning any defective product to Aluminess for warranty consideration and purchaser may be responsible for all costs associated with shipping the product to and from Aluminess. Prior to returning any product for warranty, purchaser must contact Aluminess Products Inc. for proper authorization.