

# Tire Rack Installation Instructions

P/N 210576.1: 2015+ Ford Transit Rear Door Tire Rack, Driver's Side, LOW ROOF

## Before you begin:

- *Stainless steel hardware may bind together when tightening — apply an anti-seize assembly lubricant to the threads of each bolt before assembly*
- *This installation requires two or more people*

## Required Tools:

- Standard and metric wrench set
- Standard and metric socket set
- Torx bit set
- Drill or impact driver
- Dremel
- Isopropyl Alcohol
- Baby Soap or Dish Soap
- Spray Bottle
- Clean Rag
- Squeegee (or old credit card)
- Vice grips



## Included Hardware:

<b>P/N</b>	<b>Description</b>	<b>Quantity</b>
70344	5/16"-18 x 1" Button Head Bolt, BLACK OXIDE	4
70446	5/16"-18 x 1 ¼" Button Head Bolt, BLACK OXIDE	2
70448	3/8" ID Washer, 1/8" THK, BLACK OXIDE	4
70345	5/16" ID Washer, BLACK OXIDE	12
70346	5/16"-18 Nylon-Locking Nut, BLACK OXIDE	6
70348	3/8"-16 x 1.25" Carriage Bolt, SS	2
70028	3/8" Washer	2
70024	3/8"-16 Nylock Locking Nut	2
70246	Antiseize Bolt Lubricant Packet, 2g	1
70464	3/8"-16 x 4 ½" Socket Head Bolt, Fully Threaded, Zinc	1
70271	3/8 Internal Tooth Lock Washer, Zinc	1
401006	5/16" Allen Key	1
400999	Impact Resistant Protective Tape	9"

**Additional Parts:**

<u>PN</u>	<u>Description</u>	<u>Quantity</u>	<u>Picture</u>
301512/350658	Upper Hinge Bracket, LOW ROOF, Driver's side	1 ea	
301250/350567	Lower Hinge Bracket	1 ea	
301496/350643	Inner Driver Door Bracket, Driver	1 ea	
350616	Universal Tire Mount, Bracket	1 ea	
401004	Universal Tire Mount, Wheel Wedge	1 ea	
301506	Universal Tire Mount, Wedge Mount	1 ea	
401005	0.71"-0.80", Polyethylene Plastic Snap-in Round Plug	1 ea	
N/A	Bolt-On Tire Supports (Pre-assembled)	2 ea	

**Tire Rack Installation:**

1. Cut the supplied protective tape into one - 6" section and one - 3" section. Round all corners.
2. Apply the protective tape to each location, one at a time, using the following wet application technique described below.
3. Prepare the surface for protective film application (wet application technique):

- a. Clean the area around each hinge with isopropyl alcohol and rag.
- b. Wash your hands thoroughly.
- c. Do not apply in direct sunlight
- d. Apply in temperatures above 60°F.
- e. Create two separate wetting solutions:
  - i. Soap/water: ~95% water / ~5% soap
  - ii. Alcohol/water: ~75% water, ~25% isopropyl alcohol
4. Spray the surface thoroughly with soap/water solution and do not wipe down surface.
5. Remove the liner from the protective tape while spraying the adhesive side with soap/water solution.
6. Apply the protective tape to the outside of the door (Figure 1). At the upper or lower hinge location, leaving approximately ½” of tape overhanging to be wrapped around the edge of the door. Leave the tape overhanging for now.



Figure 1: Locations of Protective Film Application

7. Use squeegee all air bubbles out starting at adhered edge.
8. Use the alcohol/water solution to speed up adhesion at one edge (lift section up and spray adhesive side) as needed.

9. Wrap remaining protective tape around the door underneath hinge if possible.
10. Install the upper hinge bracket by:
  - a. Have someone help support the weight of the door throughout the entire bracket installation.
  - b. Remove the three bolts connecting the hinge *to the door*.
  - c. Rotate hinge enough to allow the bracket to be installed around the hinge (Figure 2).



Figure 2: Upper Hinge Rotated Away from Door

- d. Install the hinge around the hinge in the correct orientation (Figure 3).



Figure 3: Bracket Installed Over Factory Hinge

- e. Rotate the hinge and bracket back into position against the door (Figure 3).
- f. Use the factory hardware to reinstall the hinge/bracket (Figure 4).

PRO TIP: Be sure to center the bracket around the hinge and verify clearances around the hinge while slowly opening and closing the door.



Figure 4: Inside View of Installed Upper Hinge Bracket

11. Install the lower hinge bracket by repeating the process detailed in Step 2 (reference Figure 5).



Figure 5: Inside View of Installed Lower Hinge Bracket

12. Loosen the weather-stripping on the inside of the driver's side door from the bottom up to past the inside handle.
13. Remove the driver's side inside handle by removing the torx bolt (Reference Figure 6).



Figure 6: Driver's Side Inside Handle

14. Remove the upper and lower factory torx bolts as shown in Figure 7. NOTE: Hold the center

post with clamp or vice during the installation to prevent the latch falling into the door.



Figure 7: Removing Factory Torx Screws

15. Install the inner driver door bracket using the upper and lower factory torx hardware (See Figure 8).



Figure 8: Inner Driver Door Bracket Installed

16. If needed, cut a relief channel into the ribs on the back of the plastic factory handle with a Dremel. Reference Figure 9. Shave the ribs down about 1/8", or enough to clear the torx bolt head on the inside of the door.





Figure 9: Driver's Side Inside Handle

17. Reinstall the inside door handle over the bracket using the same factory torx bolt.
18. Verify the driver's inside door handle operates as desired. Repeat Steps 16-17 as needed.
19. Mark and cut the weather-stripping to fit around the inner door bracket. On the weather-stripping, cut the channel (attachment to the folded sheet metal) and not the bulb (hollow tube); (Reference Figure 10 & 11).

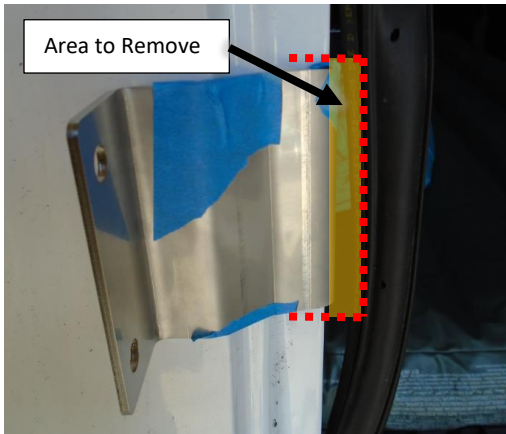


Figure 10: Weather-Stripping Cut to Shape

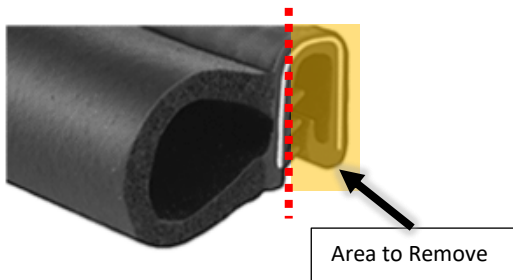


Figure 11: Cross-Section of Weather-Stripping

20. Reinstall weather-stripping over the bracket ensuring cut section lines up with bracket as shown in figure 12.



Figure 12: Installed Weather Stripping After Modification

21. Loosely install the rack onto the upper, lower, and inner brackets using the provided 5/16"-18 bolts, washers, and nuts. Use the 1" bolts for the outer brackets and the 1 1/4" bolts for the inner bracket.
  - a. Tighten the upper and lower **hinge** brackets first.
  - b. There should be a small gap at the center bracket before it is fully tightened (0-1/8"). If the gap is larger, than 1/8", use the provided 1/8" THK washers as shims (PN: 70448) to close the gap to ≤ 1/8" (See Figure 13).



Figure 13: Gap between bracket and product

22. Verify the hinge brackets and inner door brackets have appropriate clearances while slowly opening and closing both rear doors.
23. Loosely install the bolt-on tire/box supports onto the bottom crossmember of the rack as shown in Figure 14.



Figure 14: Bolt-On Supports Loosely Bolted to Lower Crossmember

24. Starting with support closest to tail light – sliding support as close to the tail light as possible and then rotate into desired position and tighten.

PRO TIP: Reference Figure 15 for suggested mounting orientation.

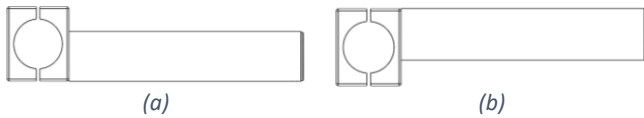


Figure 14: Suggested Orientation for Tire (a) and Box (b)

25. Repeat for the support opposite the center post, being sure that the spacing is equal from the center post, and the orientation is the same for both supports.
26. Loosely fasten the Tire Mount Bracket to the slotted channel using the 3/8" carriage head bolts, washer, and nuts to mount. Reference Figure 16.

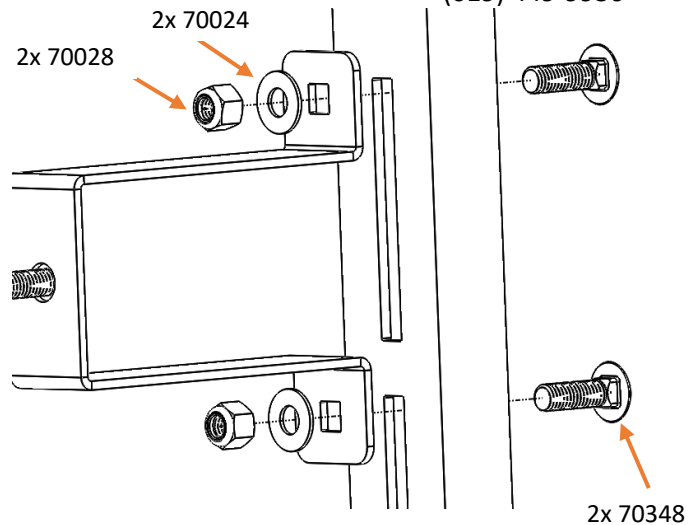


Figure 16: Mounting Tire Bracket

27. Place the mounting bracket in the correct location by placing your tire on the tire supports and then adjusting the bracket vertically until the center hub aligns with the center of the bracket.
28. Once the bracket is in place remove the tire and tighten the bracket hardware.
29. Place the tire on the support stands and mount the wheel wedge mount, 5" socket head bolt, and locking washer to secure the wheel into place with the provided Allen key. Reference Figure 17 and 18.

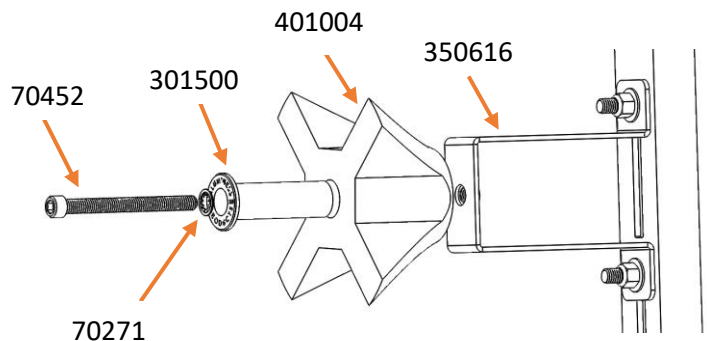
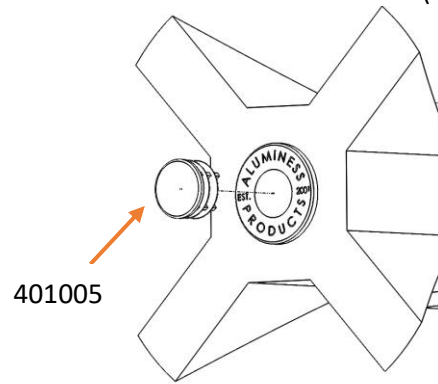


Figure 17: Wheel Wedge Assembly



*Figure 18: Tire Mount Assembled*

30. Once everything is securely fastened insert the snap in plug into the wedge mount. Reference Figure 19.



*Figure 19: Snap in round plug*

Note: you may need a rubber hammer to snap it into place.

31. Check mounting hardware after first 100 miles of driving and periodically after to verify hardware has not become loose from vibration.
32. Your new Aluminess tire rack is now installed,
33. Check mounting hardware after first 100 miles of driving and periodically after to verify hardware has not become loose from vibration.
34. Your new Aluminess tire rack is now installed, enjoy!



Aluminess Products, Inc. (Aluminess) Warranty

1. Lifetime Warranty. Aluminess provides a lifetime warranty of its products to the original retail purchaser provided such products are installed correctly according to the official Aluminess installation instructions. Any modification to the original product design, function or use of any Aluminess products will void the Aluminess warranty. Aluminess will have sole discretion to determine warranty eligibility for any and all Aluminess products sold to any purchaser.

2. Limited Remedies. Subject to any limitations and exclusions described herein, and subject to Aluminess' determination of warranty eligibility, Aluminess will remedy defects in product materials and/or workmanship of any product by repairing or replacing such defective product, which shall be within Aluminess' sole discretion, without charge for parts or labor. Aluminess may elect in its sole discretion not to replace a defective product and issue the purchaser a refund equal to the purchase price of any defective product or purchaser may elect to receive a credit (equal to such refund) toward the purchase of new Aluminess products. Repair or replacement of a defective product or providing a refund or credit to purchaser will be purchaser's exclusive remedy under this warranty. Damage to a purchaser's vehicle, cargo and/or any other person or property is expressly excluded from the Aluminess warranty.

3. Modification. Aluminess products are designed to be mounted to factory equipped vehicles. Aftermarket additions to such vehicle may or may not require modification of an Aluminess product. The Aluminess warranty does not extend to any Aluminess products that are modified to fit around other otherwise accommodate or be compatible with any aftermarket vehicle accessories or alterations. Aluminess does not guarantee fitment with any other aftermarket accessories or modified vehicle, and it is up to purchaser to determine fitment prior to purchasing any Aluminess product.

4. Damage. Damage to Aluminess products due to normal wear and tear, including, but not limited to, cosmetic issues and superficial scratches, or structural damage to an Aluminess product in connection with any vehicle collisions or other structural degradation in connection with the use of such vehicle (on road or off road) will not be covered by the Aluminess warranty. Additionally, any product user's misuse, neglect, overloading, improper maintenance or improper installation or repair of any Aluminess products are not covered under the Aluminess warranty.

5. Use of the Products. Aluminess products are designed for off road vehicle use. Installing Aluminess products on a vehicle may exceed the factory designed capabilities of such vehicle and could potentially lead to vehicle damage. Aluminess will not be responsible for any damage caused to a purchaser or user's vehicle or any vehicle accessories caused by the use of any Aluminess products. It is to the sole responsibility of purchaser to inspect and ensure that the intended vehicle and Aluminess products are suitable and compatible for travel on road and off road. No seller nor any manufacturer of Aluminess products will be liable for any loss, damage or injury directly or indirectly arising from the use of any Aluminess products. Before using any Aluminess products, the purchaser or user will determine the suitability of the product(s) for their intended use(s) and the purchaser or user shall assume all responsibility and risk in connection therewith.

6. DISCLAIMER. THE ALUMINESS WARRANTY IS EXPRESSLY MADE IN LIEU OF ANY AND ALL OTHER WARRANTIES, AND EXCEPT FOR THE ALUMINESS WARRANTY SET FORTH HEREIN, ALUMINESS MAKES NO WARRANTY WHATSOEVER WITH RESPECT TO ANY ALUMINESS PRODUCT, INCLUDING ANY WARRANTY OF MERCHANTABILITY AND FITNESS FOR A PARTICULAR PURPOSE, WHETHER EXPRESS OR IMPLIED BY LAW, COURSE OF DEALING, COURSE OF PERFORMANCE, USAGE OF TRADE, OR OTHERWISE.

EXCEPT FOR PURCHASER'S LIMITED REMEDIES SET FORTH HEREIN, IN NO EVENT WILL ALUMINESS BE LIABLE FOR ANY LOST PROFITS, LOST SALES, OR FOR ANY CONSEQUENTIAL, DIRECT, INDIRECT, INCIDENTAL, SPECIAL, EXEMPLARY OR PUNITIVE DAMAGES OR FOR ANY OTHER DAMAGES OF ANY KIND OR NATURE.

7. Compliance. Aluminess cannot guarantee that its products comply with all Federal, State, and/or local laws. Purchaser is advised to review local vehicle codes for compatibility prior to purchase to ensure that the installation and use of any Aluminess products does not violate any applicable laws.

8. Warranty Claim Submission. Purchaser will responsible for returning any defective product to Aluminess for warranty consideration and purchaser may be responsible for all costs associated with shipping the product to and from Aluminess. Prior to returning any product for warranty, purchaser must contact Aluminess Products Inc. for proper authorization.