

Vertical Bike Rack Installation Instructions

P/N 210551: Rear Door Vertically Integrated Bike Rack

Before you begin:

- This is a SUPPLEMENTAL product – it must be mounted to an Aluminess Rear Door Base Unit (sold separately).
- **Maximum load capacity is 100 lbs on bike rack once installed, not including bike trays.**
- Stainless steel hardware may bind together when tightening – apply an anti-seize assembly lubricant to the threads of each bolt before assembly



Required Tools:

- Standard and metric wrench set
- Standard and metric socket set
- Torx bit set

Included Hardware:

P/N	Description	Quantity
70348	Carriage Bolt, 3/8"-16 x 1-1/4", SS	8
70027	3/8" Washer, thick	4
70028	3/8" Washer	8
70024	3/8"-16 Nylon-Locking Nut	8
70060	1/4"-20 x 1" Button Head Bolt	6
70008	1/4"-20 Nylon-Locking Nut	4
70009	1/4" ID Washer	10
70444	1/4" ID Nylon Washer, Black	8
70723	1/4"-20 x 5/8" Carriage Bolt, SS	2
70246	Antiseize Bolt Lubricant Packet, 2g	1
400905.1	Clinch Strap, Hook-and-Loop (Velcro), 6"	2
401003	Lanyard, stainless steel, eyelet to eyelet, 30"	2
401013	Aluminum Spacer, .257" ID x .3125" OD x .141"	2
401014	Aluminum Spacer, .257" ID x .3125" OD x .50"	2

Additional Parts:

Description	Quantity
[301242] Upper Support Bracket	2 ea
Pull Strap (pre-assembled)	2 ea

Picture



Bike Rack Installation:

NOTE: This is a SUPPLEMENTAL product – it must be mounted to an Aluminess Rear Door Base Unit (sold separately).

NOTE: If installing with an Aluminess BackPACK plate, skip to step 5 and Figure 6.

1. Install your rear door base unit using the separately provided installation instructions.
2. Slide four (4) 3/8" carriage bolts into each bike tray slot.
3. Over the center two (2) carriage bolts, mount the upper support bracket using the corresponding 3/8" washer and nuts (reference Figure 1). The flange should be pointed away from the side with the locking mechanism. Leave the bolts loose enough to be able to slide the bracket within the bike tray for now.

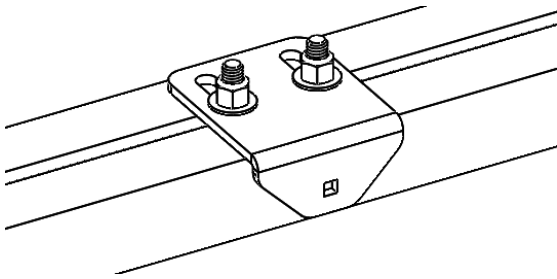


Figure 1: Upper Support Bracket Attached to Bike Tray

4. Install the bike rack trays onto the rack using the two (2) remaining carriage bolts through the indicated holes on the bike rack (see Figure 2). Tighten with the 3/8" washer and nuts.

PRO TIP: It may be helpful to stagger the vertical distances of the bike trays to accommodate various bike geometries (helps to prevent handlebar interference).

PRO TIP: If you have back up sensors, verify sensor functionality with the bike trays closed. With bikes installed, sensors will most likely "see" the bikes and alert when in reverse.

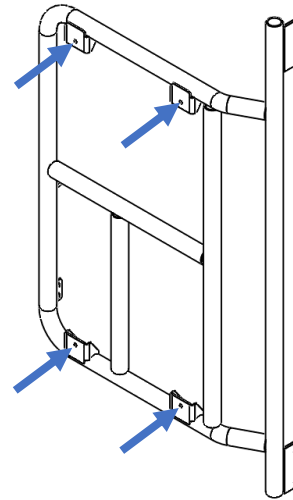


Figure 2: Mounting Holes on the Bike Rack for the Bike Trays

Installation with BackPACK (sold separately):

5. Install your Rear Door Base Unit and BackPACK accessory using the separately provided installation instructions.
6. Slide two (2) 3/8" carriage bolts into each bike tray slot.
7. Install the bike rack trays onto the BackPACK using the carriage bolts through the indicated holes on the bike rack or BackPACK (see Figure 3). **NOTE:** The 3/8" bolt can only fit into the large hole at the end of each slot – please use the indicated locations only.

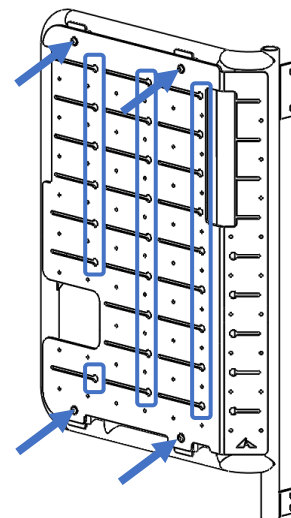


Figure 3: Tray Installation Locations with BackPACK

PRO TIP: It may be helpful to stagger the vertical distances of the bike trays to accommodate various bike geometries (helps to prevent handlebar interference).

PRO TIP: If you have back up sensors, verify sensor functionality with the bike trays closed. With bikes installed, sensors will most likely “see” the bikes and alert when in reverse.

8. Tighten with the **thick 3/8”** washer (70027) and nuts.
9. Now with your bike trays installed, bolt on the steel cable to the upper support bracket and the bike tray arm. Reference Figures 4-7 for correct hardware assembly.



Bolt Through Lowest Available Hole on Opposite Side of Clamping Bar (Backside from Shown)

Figure 4: Bike Cable Position on Bike Tray

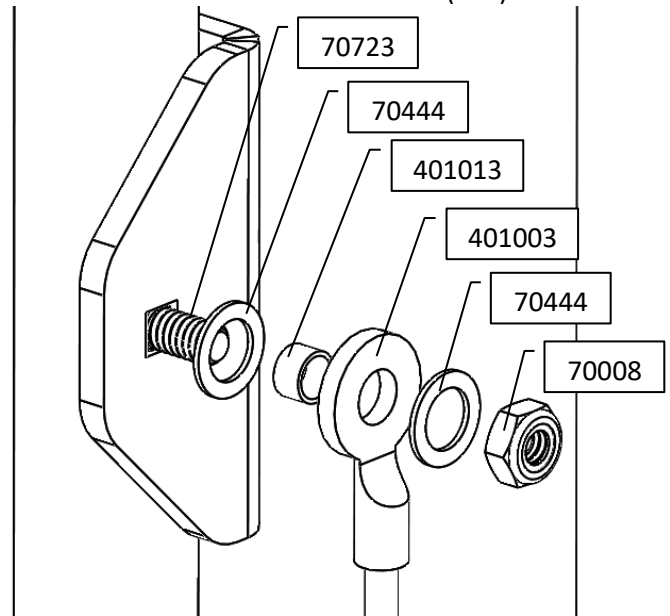


Figure 5: Hardware Assembly for Upper Support (No BackPACK)

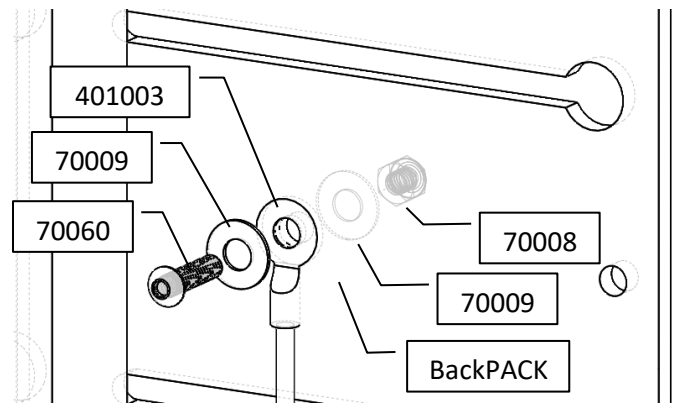


Figure 6: Hardware Assembly for Upper Support (With BackPACK)

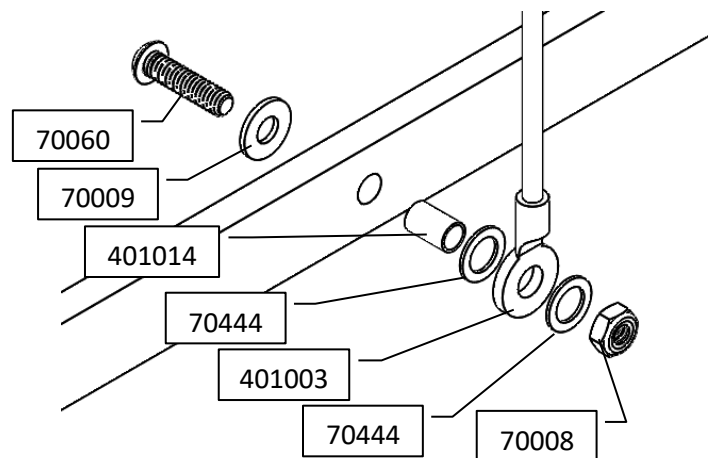


Figure 7: Hardware Assembly for Bike Tray

PRO TIP: Don't over tighten the 1/4" hardware – this will allow for good cable rotation.

10. With the lower support arm of the bike tray extended to approximately parallel with the ground (as shown in Figure 3), slide the upper support bracket (on the back of the bike tray) up until tight. Tighten the 3/8" hardware to secure upper support bracket in place.
11. Install hook-and-loop strap and pull strap onto upper bike tray arms as desired. Pulling on the strap will help secure bicycles when installed vertically and the hook-and-loop strap can be used for securing the pull strap during travel. Reference Figures 6 - 8.

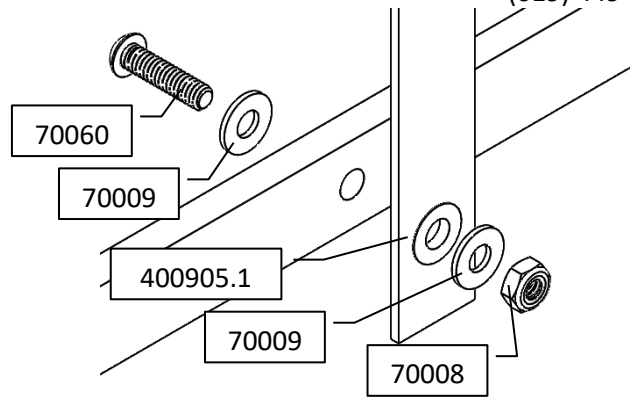


Figure 9: Hardware Assembly for Hoop-and-Loop Strap

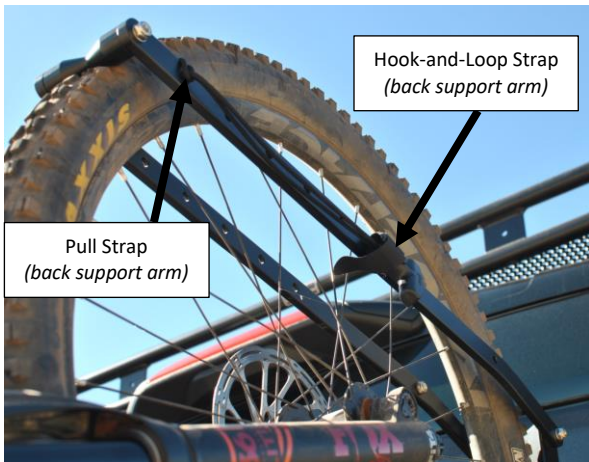


Figure 8: Pull Handle Installed



Figure 10: Pull Strap Installed onto Bike Arm (Girth Hitch)

12. Install your bikes into the bike trays and verify fitment – adjust vertical placement as desired.
13. Your new Aluminess Vertical Bike Rack is now installed! Verify all hardware after the first 100 miles of travel and periodically thereafter.

NOTE: Due to multiple installation configurations being described here, there will be additional hardware leftover after installation is complete.



Aluminess Products, Inc. (Aluminess) Warranty

1. Lifetime Warranty. Aluminess provides a lifetime warranty of its products to the original retail purchaser provided such products are installed correctly according to the official Aluminess installation instructions. Any modification to the original product design, function or use of any Aluminess products will void the Aluminess warranty. Aluminess will have sole discretion to determine warranty eligibility for any and all Aluminess products sold to any purchaser.

2. Limited Remedies. Subject to any limitations and exclusions described herein, and subject to Aluminess' determination of warranty eligibility, Aluminess will remedy defects in product materials and/or workmanship of any product by repairing or replacing such defective product, which shall be within Aluminess' sole discretion, without charge for parts or labor. Aluminess may elect in its sole discretion not to replace a defective product and issue the purchaser a refund equal to the purchase price of any defective product or purchaser may elect to receive a credit (equal to such refund) toward the purchase of new Aluminess products. Repair or replacement of a defective product or providing a refund or credit to purchaser will be purchaser's exclusive remedy under this warranty. Damage to a purchaser's vehicle, cargo and/or any other person or property is expressly excluded from the Aluminess warranty.

3. Modification. Aluminess products are designed to be mounted to factory equipped vehicles. Aftermarket additions to such vehicle may or may not require modification of an Aluminess product. The Aluminess warranty does not extend to any Aluminess products that are modified to fit around other otherwise accommodate or be compatible with any aftermarket vehicle accessories or alterations. Aluminess does not guarantee fitment with any other aftermarket accessories or modified vehicle, and it is up to purchaser to determine fitment prior to purchasing any Aluminess product.

4. Damage. Damage to Aluminess products due to normal wear and tear, including, but not limited to, cosmetic issues and superficial scratches, or structural damage to an Aluminess product in connection with any vehicle collisions or other structural degradation in connection with the use of such vehicle (on road or off road) will not be covered by the Aluminess warranty. Additionally, any product user's misuse, neglect, overloading, improper maintenance or improper installation or repair of any Aluminess products are not covered under the Aluminess warranty.

5. Use of the Products. Aluminess products are designed for off road vehicle use. Installing Aluminess products on a vehicle may exceed the factory designed capabilities of such vehicle and could potentially lead to vehicle damage. Aluminess will not be responsible for any damage caused to a purchaser or user's vehicle or any vehicle accessories caused by the use of any Aluminess products. It is to the sole responsibility of purchaser to inspect and ensure that the intended vehicle and Aluminess products are suitable and compatible for travel on road and off road. No seller nor any manufacturer of Aluminess products will be liable for any loss, damage or injury directly or indirectly arising from the use of any Aluminess products. Before using any Aluminess products, the purchaser or user will determine the suitability of the product(s) for their intended use(s) and the purchaser or user shall assume all responsibility and risk in connection therewith.

6. DISCLAIMER. THE ALUMINESS WARRANTY IS EXPRESSLY MADE IN LIEU OF ANY AND ALL OTHER WARRANTIES, AND EXCEPT FOR THE ALUMINESS WARRANTY SET FORTH HEREIN, ALUMINESS MAKES NO WARRANTY WHATSOEVER WITH RESPECT TO ANY ALUMINESS PRODUCT, INCLUDING ANY WARRANTY OF MERCHANTABILITY AND FITNESS FOR A PARTICULAR PURPOSE, WHETHER EXPRESS OR IMPLIED BY LAW, COURSE OF DEALING, COURSE OF PERFORMANCE, USAGE OF TRADE, OR OTHERWISE.

EXCEPT FOR PURCHASER'S LIMITED REMEDIES SET FORTH HEREIN, IN NO EVENT WILL ALUMINESS BE LIABLE FOR ANY LOST PROFITS, LOST SALES, OR FOR ANY CONSEQUENTIAL, DIRECT, INDIRECT, INCIDENTAL, SPECIAL, EXEMPLARY OR PUNITIVE DAMAGES OR FOR ANY OTHER DAMAGES OF ANY KIND OR NATURE.

7. Compliance. Aluminess cannot guarantee that its products comply with all Federal, State, and/or local laws. Purchaser is advised to review local vehicle codes for compatibility prior to purchase to ensure that the installation and use of any Aluminess products does not violate any applicable laws.

8. Warranty Claim Submission. Purchaser will responsible for returning any defective product to Aluminess for warranty consideration and purchaser may be responsible for all costs associated with shipping the product to and from Aluminess. Prior to returning any product for warranty, purchaser must contact Aluminess Products Inc. for proper authorization.