

Tire Reinforcement Plate Installation Instructions

P/N 210637: 2021+ Ford Bronco Rear Bumper

Before you begin:

- *Stainless steel hardware may bind together when tightening — apply an anti-seize assembly lubricant to the threads of each bolt before assembly*
- *This install requires LED license plate wiring — Professional installation by automotive electrician is recommended*
- *This installation requires two or more people*
- *Disconnect battery prior to installation*



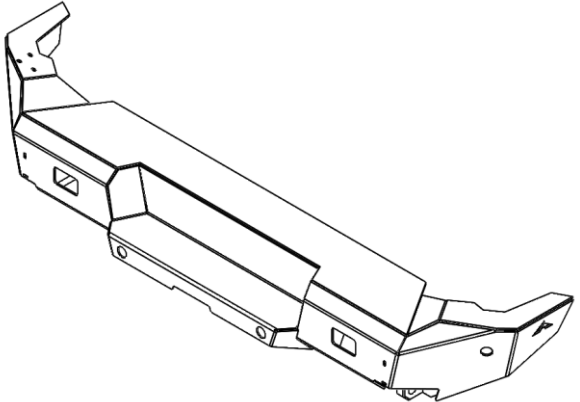
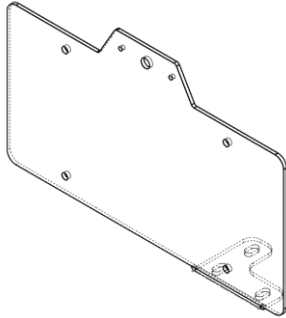
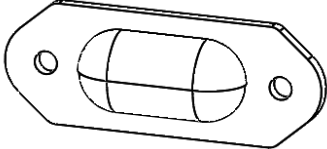
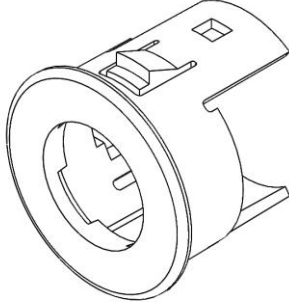
Required Tools:

- Ratchet with 10mm, 13mm, 15mm, 18mm, and 9/16" socket
- Socket extensions
- Flat head screw driver or door trim prying tool

Included Hardware:

<i>P/N</i>	<i>Description</i>	<i>Quantity</i>
70094	¼"-20 x 1"	3
70008	¼-20 Nylock nut	3
70009	¼" ID Washer	6

Additional Parts:

<i>PN</i>	<i>Description</i>	<i>Quantity</i>	<i>Picture</i>
301603	Aluminum Rear Bumper	1	
301613	License Plate Holder	1	
400508	LED Light	1	
301268	Parking Sensor Retainer(pre-installed)	4	

Stock Bumper Removal:

1. Disconnect battery under the hood.
2. Under vehicle on both sides of factory rear bumper are two pigtail harnesses that need to be unplugged.



Figure 1: Skid Plate Bolt Location

3. Remove QTY (8) 13mm/9/16" bolts that are attached to body mount located on both sides of vehicle. [Figure 2]



Figure 2: Remove Two Bolts

4. Support bumper. Remove QTY (4) bolts that are attached to frame. Bolt heads are facing toward ground. Remove bumper and set aside.



Figure 3: Remove QTY (4) Bolts

5. With bumper on the ground remove wiring harness by spreading parking sensor retainers apart. Keep track of driver side harness plug and passenger side to install into new bumper in correct orientation., Remove QTY (4) parking sensors and unplug license plate light.

6. Weave harness through cutouts in bumper while plugging in parking sensor plugs (Fig 4)

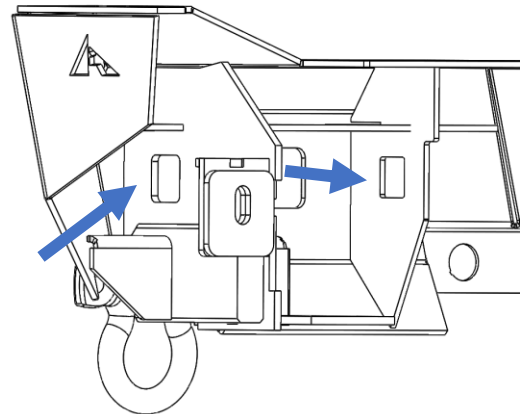


Figure 4: Parking Sensor Harness Plug

7. With harness installed into Aluminess rear bumper proceed to support bumper under vehicle.
8. Reinstall factory hardware from STEP 4 through mounting slots on bumper and into bottom of frame.



Figure 7: Bolt Bumper to Frame through Slots

9. Install provided ½" diameter bolt into bumper and curved slot on shock body surface.
10. Plug in sensor harness connectors on driver side and passenger side of vehicle.
11. Congratulations you have installed your new Aluminess bumper. Retighten hardware after 100 miles of driving and periodically thereafter. Enjoy!



Aluminess Products, Inc. (Aluminess) Warranty

1. Lifetime Warranty. Aluminess provides a lifetime warranty of its products to the original retail purchaser provided such products are installed correctly according to the official Aluminess installation instructions. Any modification to the original product design, function or use of any Aluminess products will void the Aluminess warranty. Aluminess will have sole discretion to determine warranty eligibility for any and all Aluminess products sold to any purchaser.

2. Limited Remedies. Subject to any limitations and exclusions described herein, and subject to Aluminess' determination of warranty eligibility, Aluminess will remedy defects in product materials and/or workmanship of any product by repairing or replacing such defective product, which shall be within Aluminess' sole discretion, without charge for parts or labor. Aluminess may elect in its sole discretion not to replace a defective product and issue the purchaser a refund equal to the purchase price of any defective product or purchaser may elect to receive a credit (equal to such refund) toward the purchase of new Aluminess products. Repair or replacement of a defective product or providing a refund or credit to purchaser will be purchaser's exclusive remedy under this warranty. Damage to a purchaser's vehicle, cargo and/or any other person or property is expressly excluded from the Aluminess warranty.

3. Modification. Aluminess products are designed to be mounted to factory equipped vehicles. Aftermarket additions to such vehicle may or may not require modification of an Aluminess product. The Aluminess warranty does not extend to any Aluminess products that are modified to fit around other otherwise accommodate or be compatible with any aftermarket vehicle accessories or alterations. Aluminess does not guarantee fitment with any other aftermarket accessories or modified vehicle, and it is up to purchaser to determine fitment prior to purchasing any Aluminess product.

4. Damage. Damage to Aluminess products due to normal wear and tear, including, but not limited to, cosmetic issues and superficial scratches, or structural damage to an Aluminess product in connection with any vehicle collisions or other structural degradation in connection with the use of such vehicle (on road or off road) will not be covered by the Aluminess warranty. Additionally, any product user's misuse, neglect, overloading, improper maintenance or improper installation or repair of any Aluminess products are not covered under the Aluminess warranty.

5. Use of the Products. Aluminess products are designed for off road vehicle use. Installing Aluminess products on a vehicle may exceed the factory designed capabilities of such vehicle and could potentially lead to vehicle damage. Aluminess will not be responsible for any damage caused to a purchaser or user's vehicle or any vehicle accessories caused by the use of any Aluminess products. It is to the sole responsibility of purchaser to inspect and ensure that the intended vehicle and Aluminess products are suitable and compatible for travel on road and off road. No seller nor any manufacturer of Aluminess products will be liable for any loss, damage or injury directly or indirectly arising from the use of any Aluminess products. Before using any Aluminess products, the purchaser or user will determine the suitability of the product(s) for their intended use(s) and the purchaser or user shall assume all responsibility and risk in connection therewith.

6. DISCLAIMER. THE ALUMINESS WARRANTY IS EXPRESSLY MADE IN LIEU OF ANY AND ALL OTHER WARRANTIES, AND EXCEPT FOR THE ALUMINESS WARRANTY SET FORTH HEREIN, ALUMINESS MAKES NO WARRANTY WHATSOEVER WITH RESPECT TO ANY ALUMINESS PRODUCT, INCLUDING ANY WARRANTY OF MERCHANTABILITY AND FITNESS FOR A PARTICULAR PURPOSE, WHETHER EXPRESS OR IMPLIED BY LAW, COURSE OF DEALING, COURSE OF PERFORMANCE, USAGE OF TRADE, OR OTHERWISE.

EXCEPT FOR PURCHASER'S LIMITED REMEDIES SET FORTH HEREIN, IN NO EVENT WILL ALUMINESS BE LIABLE FOR ANY LOST PROFITS, LOST SALES, OR FOR ANY CONSEQUENTIAL, DIRECT, INDIRECT, INCIDENTAL, SPECIAL, EXEMPLARY OR PUNITIVE DAMAGES OR FOR ANY OTHER DAMAGES OF ANY KIND OR NATURE.

7. Compliance. Aluminess cannot guarantee that its products comply with all Federal, State, and/or local laws. Purchaser is advised to review local vehicle codes for compatibility prior to purchase to ensure that the installation and use of any Aluminess products does not violate any applicable laws.

8. Warranty Claim Submission. Purchaser will responsible for returning any defective product to Aluminess for warranty consideration and purchaser may be responsible for all costs associated with shipping the product to and from Aluminess. Prior to returning any product for warranty, purchaser must contact Aluminess Products Inc. for proper authorization.

REVISION TABLE:

Revision:	Description	Changed By:	Date:
A	Initial Release	D.Hagadorn	6/2/22