

Bolt-On Box + Tire Carrier Installation Instructions

P/N 210715: Rear Door Bolt-On Box/Tire Carrier

Before you begin:

- **Maximum load capacity is 100 lbs on box/tire rack once installed.**
- Product must be used in conjunction with Transit Rear Door Ladder (P/N 210534), Sprinter Rear Door Ladder (210572), or Promaster Rear Door Ladder (210567); sold separately.
- Stainless steel hardware may bind together when tightening — apply an anti-seize assembly lubricant to the threads of each bolt before assembly
- This Product is **NOT** compatible with a Sprinter Dually

Required Tools:

- Standard and metric wrench set
- Standard and metric socket set
- Hex key (Allen wrench) set

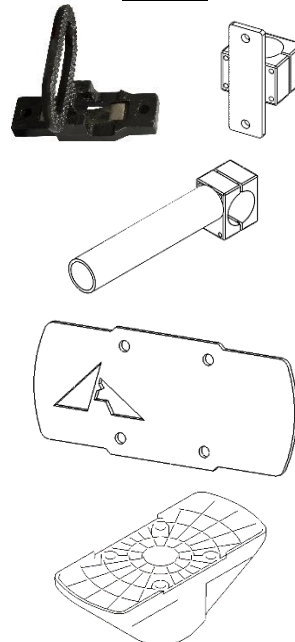
Included Hardware:



P/N	Description	Quantity
70348	3/8"-16 x 1.25" Carriage Bolt, SS	2
70028	3/8" Washer	3
70024	3/8"-16 Nylock Locking Nut	2
70480	3/8"-16 x 5" Hex Head Bolt, Fully Threaded, Zinc	1
70271	3/8 Internal Tooth Lock Washer, Zinc	1
70478	Bolt, 1/4"-20 x 1/2", Tamper-Resistant, SS	4
70479	Bit, 5/32" hex, tamper-resistant	1
70246	Antiseize Bolt Lubricant Packet, 2g	1

PN	Description	Quantity
350716	Bolt-On Folding Step Mounts (pre-assembled)	3 ea
350662	Bolt-On Tire/Box Supports	2 ea
301620	Universal Tire Mount, Wheel Wedge Cover	1 ea
301629	Universal Tire Mount, Wheel Wedge	1 ea

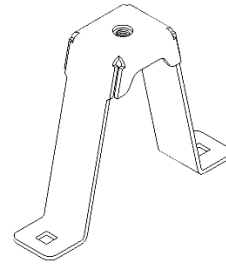
Picture



301634

Universal Tire Mount,
Bracket

1 ea



Tire Rack Installation:

1. Install your vans Aluminess Rear Door Ladder per the separately provided installation instructions.
2. Loosely install the bolt-on tire/box supports onto the bottom crossmember of the rack as shown in Figure 1.



Figure 1: Bolt-On Supports Loosely Bolted to Lower Crossmember

3. Starting with support closest to tail light – sliding support as close to the tail light as possible and then rotate into desired position and tighten.

PRO TIP: Reference Figure 2 for suggested mounting orientation.

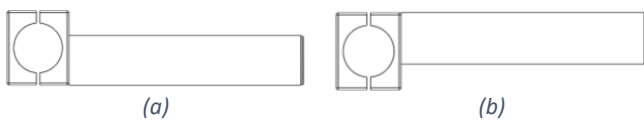


Figure 2: Suggested Orientation for Tire (a) and Box (b)

4. Repeat for the support opposite the center post, being sure that the spacing is equal from the center

post, and the orientation is the same for both supports.

5. Loosely fasten the Tire Mount Bracket to the slotted channel using the 3/8" carriage head bolts, washer, and nuts to mount. Reference Figure 3.

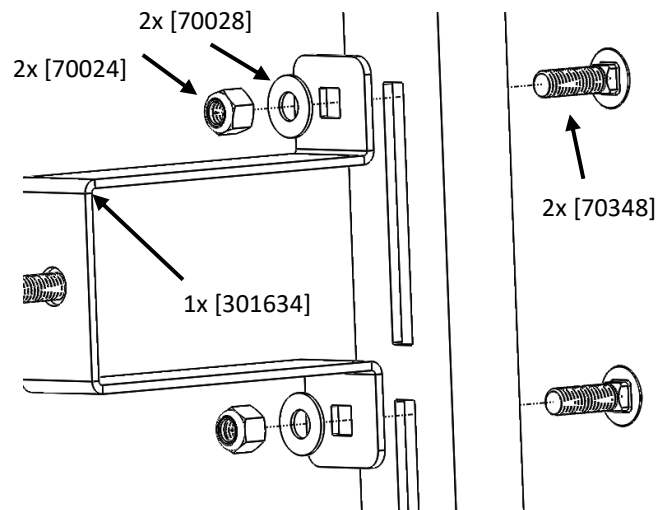


Figure 3: Mounting Tire Bracket

6. Place the mounting bracket in the correct location by placing your tire on the tire supports and then adjusting the bracket vertically until the center hub aligns with the center of the bracket.
7. Once the bracket is in place remove the tire and tighten the hardware holding the bracket in place.
8. Place the tire on the support stands and mount the wheel wedge, using the 5" hex head bolt, washer and star washer. Reference Figure 4 and 5.

NOTE: Do not overtighten this bolt. If the security plate does not fit in step 10, you must loosen the hex head bolt.

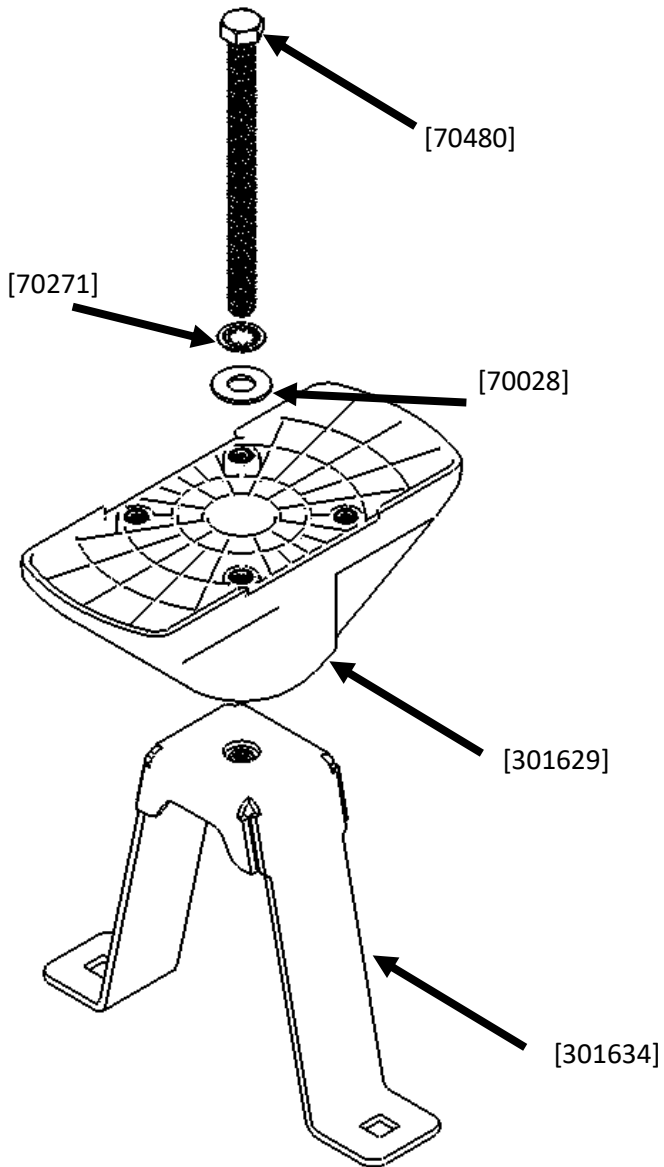


Figure 4: Wheel Wedge Assembly



Figure 5: Tire Mount Assembled

9. [Optional] If desired, you can mount a Rotopax to the wheel wedge. Before installing the cover [Step 10] first, bolt the rotopax mount to the wheel wedge using the security bolts [70478], as shown below in figure 6. Then simply install the rotopax onto the mount. The cover will not be used if using the rotopax mount.



Figure 6: Rotopax Mount

10. Once everything is securely fastened, bolt the cover to the wheel wedge using the included special bit [70479], and bolts [70478]. Reference Figure 6.

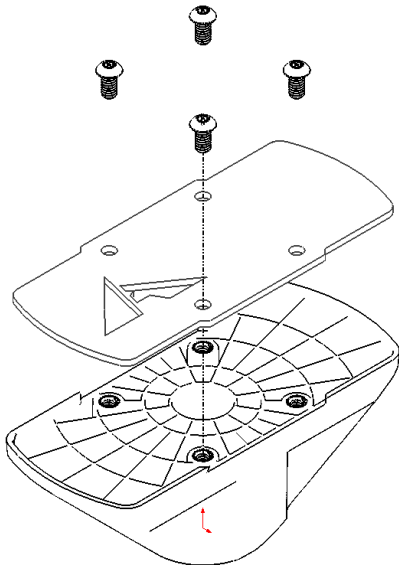


Figure 6: Wheel Wedge Cover Mounting

11. Bolt the fold-down step on the outside rail of the ladder in desired locations. Reference Figures 7.

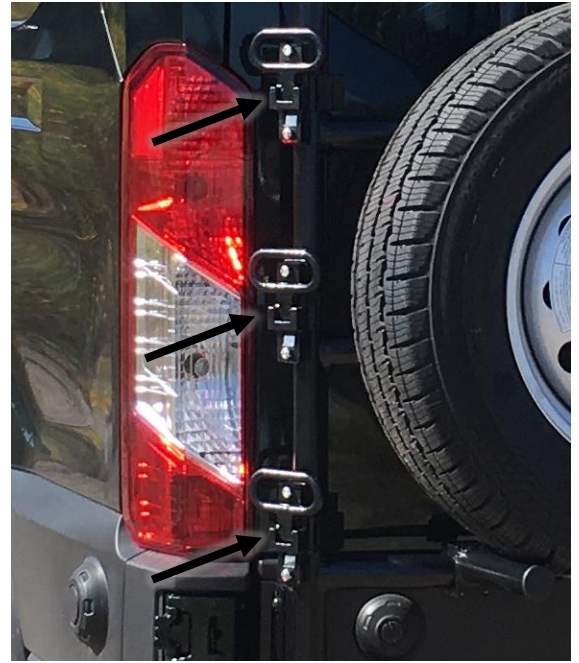


Figure 7: Step Mounting Locations

12. Check mounting hardware after first 100 miles of driving and periodically after to verify hardware has not become loose from vibration.
13. Your new Aluminess tire rack is now installed, enjoy!



Aluminess Products, Inc. (Aluminess) Warranty

1. Lifetime Warranty. Aluminess provides a lifetime warranty of its products to the original retail purchaser provided such products are installed correctly according to the official Aluminess installation instructions. Any modification to the original product design, function or use of any Aluminess products will void the Aluminess warranty. Aluminess will have sole discretion to determine warranty eligibility for any and all Aluminess products sold to any purchaser.

2. Limited Remedies. Subject to any limitations and exclusions described herein, and subject to Aluminess' determination of warranty eligibility, Aluminess will remedy defects in product materials and/or workmanship of any product by repairing or replacing such defective product, which shall be within Aluminess' sole discretion, without charge for parts or labor. Aluminess may elect in its sole discretion not to replace a defective product and issue the purchaser a refund equal to the purchase price of any defective product or purchaser may elect to receive a credit (equal to such refund) toward the purchase of new Aluminess products. Repair or replacement of a defective product or providing a refund or credit to purchaser will be purchaser's exclusive remedy under this warranty. Damage to a purchaser's vehicle, cargo and/or any other person or property is expressly excluded from the Aluminess warranty.

3. Modification. Aluminess products are designed to be mounted to factory equipped vehicles. Aftermarket additions to such vehicle may or may not require modification of an Aluminess product. The Aluminess warranty does not extend to any Aluminess products that are modified to fit around other otherwise accommodate or be compatible with any aftermarket vehicle accessories or alterations. Aluminess does not guarantee fitment with any other aftermarket accessories or modified vehicle, and it is up to purchaser to determine fitment prior to purchasing any Aluminess product.

4. Damage. Damage to Aluminess products due to normal wear and tear, including, but not limited to, cosmetic issues and superficial scratches, or structural damage to an Aluminess product in connection with any vehicle collisions or other structural degradation in connection with the use of such vehicle (on road or off road) will not be covered by the Aluminess warranty. Additionally, any product user's misuse, neglect, overloading, improper maintenance or improper installation or repair of any Aluminess products are not covered under the Aluminess warranty.

5. Use of the Products. Aluminess products are designed for off road vehicle use. Installing Aluminess products on a vehicle may exceed the factory designed capabilities of such vehicle and could potentially lead to vehicle damage. Aluminess will not be responsible for any damage caused to a purchaser or user's vehicle or any vehicle accessories caused by the use of any Aluminess products. It is to the sole responsibility of purchaser to inspect and ensure that the intended vehicle and Aluminess products are suitable and compatible for travel on road and off road. No seller nor any manufacturer of Aluminess products will be liable for any loss, damage or injury directly or indirectly arising from the use of any Aluminess products. Before using any Aluminess products, the purchaser or user will determine the suitability of the product(s) for their intended use(s) and the purchaser or user shall assume all responsibility and risk in connection therewith.

6. DISCLAIMER. THE ALUMINESS WARRANTY IS EXPRESSLY MADE IN LIEU OF ANY AND ALL OTHER WARRANTIES, AND EXCEPT FOR THE ALUMINESS WARRANTY SET FORTH HEREIN, ALUMINESS MAKES NO WARRANTY WHATSOEVER WITH RESPECT TO ANY ALUMINESS PRODUCT, INCLUDING ANY WARRANTY OF MERCHANTABILITY AND FITNESS FOR A PARTICULAR PURPOSE, WHETHER EXPRESS OR IMPLIED BY LAW, COURSE OF DEALING, COURSE OF PERFORMANCE, USAGE OF TRADE, OR OTHERWISE.

EXCEPT FOR PURCHASER'S LIMITED REMEDIES SET FORTH HEREIN, IN NO EVENT WILL ALUMINESS BE LIABLE FOR ANY LOST PROFITS, LOST SALES, OR FOR ANY CONSEQUENTIAL, DIRECT, INDIRECT, INCIDENTAL, SPECIAL, EXEMPLARY OR PUNITIVE DAMAGES OR FOR ANY OTHER DAMAGES OF ANY KIND OR NATURE.

7. Compliance. Aluminess cannot guarantee that its products comply with all Federal, State, and/or local laws. Purchaser is advised to review local vehicle codes for compatibility prior to purchase to ensure that the installation and use of any Aluminess products does not violate any applicable laws.

8. Warranty Claim Submission. Purchaser will responsible for returning any defective product to Aluminess for warranty consideration and purchaser may be responsible for all costs associated with shipping the product to and from Aluminess. Prior to returning any product for warranty, purchaser must contact Aluminess Products Inc. for proper authorization.