

NERF BAR INSTALLATION INSTRUCTIONS **GMC/Chevy 2003-2020 Van 133" WB – Regular Body**

Please read before beginning

- *Stainless steel hardware may bind together when tightening—It is recommended that you apply an anti-seize assembly lubricant to the threads of each bolt before assembly*
- *This installation requires two people*

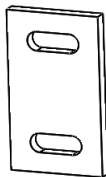


Included hardware

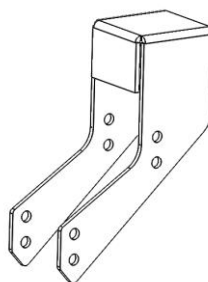
Quantity

• 70008 - 1/4-20 Nylock Nuts SS	16
• 70009 - 1/4 x 5/8 Washer SS (.03" Thick)	20
• 70018 - 1/4-20 x 5" Hex Bolt H/C SS	4
• 70039 - 1/4 x 7/8" Washer SS Fender	12
• 70040 - Washer, Countersunk Fin, SS, 1/4 ID	4
• 70060 - 1/4-20 x 1" Bolt, Button Head, Socket Cap, SS	4
• 70066 – 1/4-20 x 3" Flat Head Socket Cap Screw SS	4
• 70163 – 1/4-20 x 2 1/2" Button Head Cap Screw SS	4
• 70024 – 3/8-16 Nylock Nut, SS	20
• 70028 – 3/8" Flat Washer, SS	40
• 70029 – 3/8-16 x 1 1/4" Hex Head Bolt, SS	20
• Antiseize Packet, 2g	1

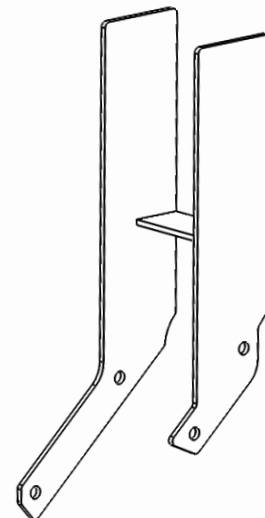
Included Parts/Subassemblies



x4
Aluminum Backing Plates



x4
Ford/Chevy Nerf Bar Bracket



x1
Chevy Rear Bracket Assy

Installation Instructions

1. Assemble the nerf bar brackets into the correct orientations shown in Figure 1. The passenger side and driver side nerf bars will assemble differently, be sure to note the differences outlined in Figure 1.
 - Some nerf bar brackets will have two sets of holes; you will need to utilize the correct set of holes for each bracket to ensure the correct bracket height when mounting.
 - Use the 3/8-16 x 1 1/4" bolts, along with accompanying nuts and washers, to fasten the brackets to the nerf bar assembly.

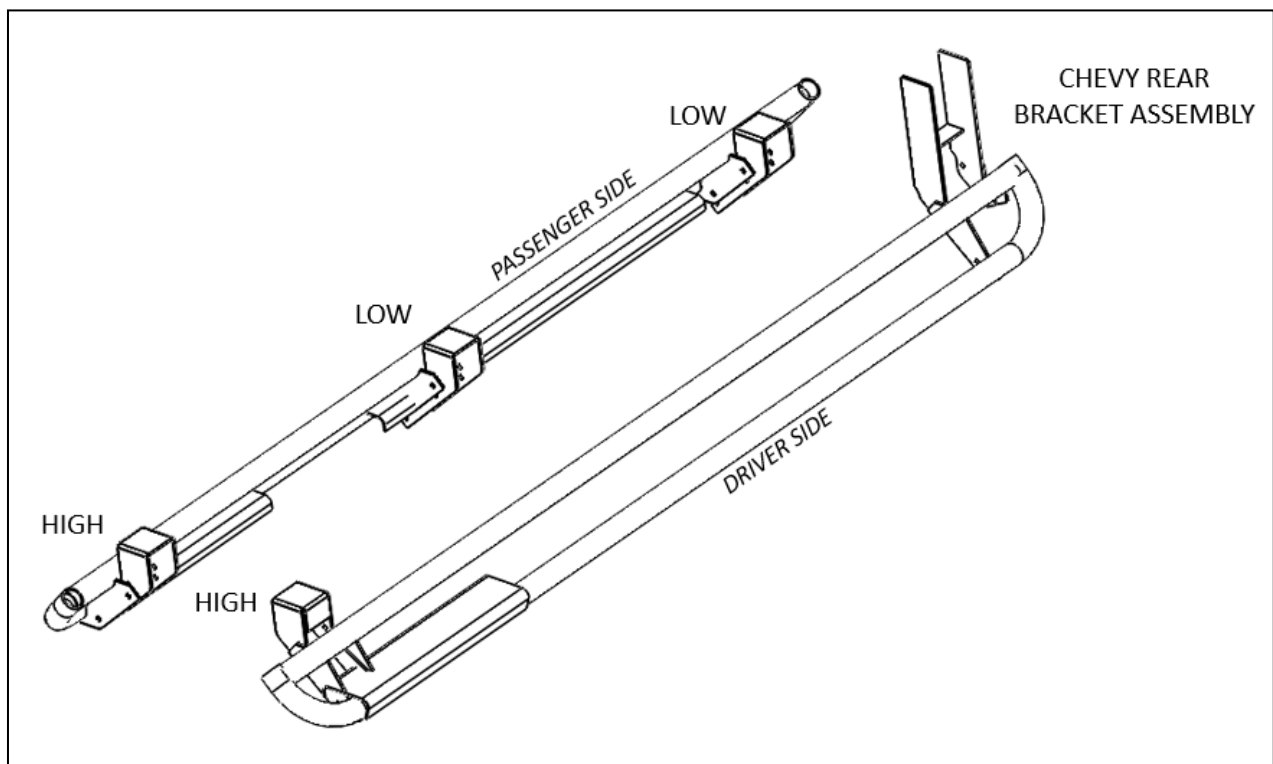
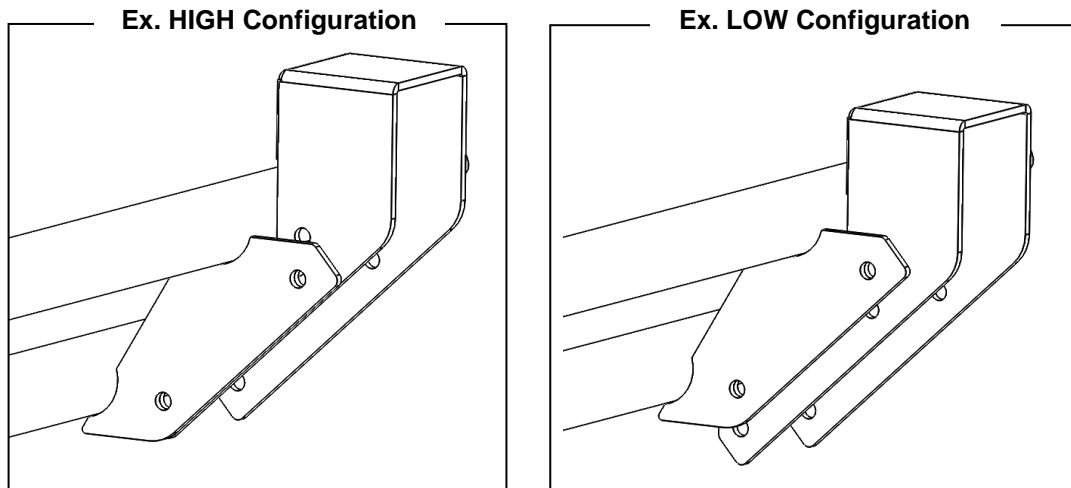
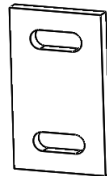


Figure 1. Correct orientation of mounting brackets for Chevy 133 Nerf Bars.

2. Once your nerf bars are fully assembled, begin installation on the driver side rear mount.
3. Hold nerf bars up so that the flanges on the nerf bar are on either side of the body channel.

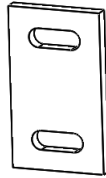


- Drill two $\frac{1}{4}$ " holes through the nerf bar flanges and the body channel.
 - Put two $\frac{1}{4}$ "-20 x 5" bolts (70018) through both holes
 - Use a $\frac{1}{4}$ " x $\frac{5}{8}$ " (70009) washer between the head of the bolt and flange and between the nylock nut and the opposing flange.
4. Front mount preparation and mount:
 - Open the front driver door and peel away plastic step to see painted metal underneath. (Pay attention to wiring that may cross by because you will be drilling through the step)
 - Laying on back place nerf bar (this nerf bar has only one diamond plate step) against step.
 - The nerf bar has two flanges on the back that stick up and will go on either side of the bracket.
 - Mark and drill two $\frac{1}{4}$ " holes through the front mounting surface on the nerf bar that sits flush on the bottom of the step, through the step, and the provided Nerf Bar Backing Plate.
 - Easiest to drill from the bottom up after marking (with the nerf bar backing plate as a guide).



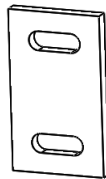
(Nerf Bar Backing Plate)

- Also make sure that you do not drill through any wiring that may be there.
 - Insert 1/4-20 x 1" Bolt, Button Head, Socket Cap, SS with 1/4" x 7/8" flat washers (70039) through the holes so the threads appear at the bottom of the nerf bar.
 - Attach one 1/4"x 7/8" (70039) washer and one nylock nut to the end of each bolt.
 - Tighten down nut onto lubricated bolt.
5. Make sure all bolts are tightened down snug.
 6. Replace the plastic step cover.
 7. Passenger side nerf bar installation:
 - Open the passenger front door and remove the plastic step.
 - Open the passenger side door and remove the plastic step.
 - Hold the nerf bars up so that the nerf bar mounting surfaces are flat against the bottom of the steps on the under side of the van.
 - Make sure that the nerf bars are space evenly between the wheel wells.
 - Rear nerf bar mount:
 - Mark and drill two 1/4" holes through the front mounting surface on the nerf bar that sits flush on the bottom of the step, through the step, and the provided Nerf Bar Backing Plate.



(Nerf Bar Backing Plate)

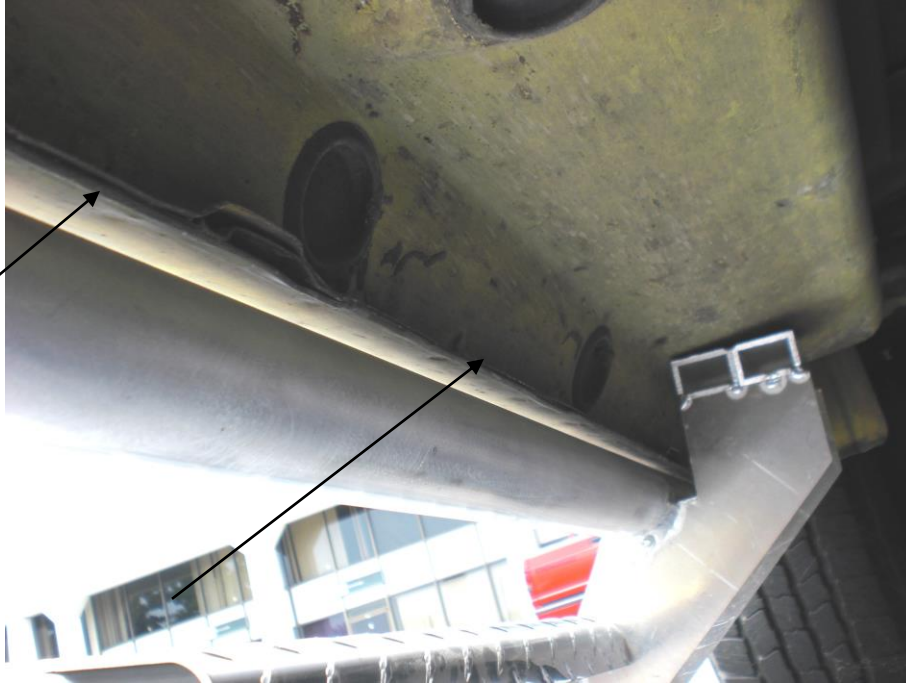
- Easiest to drill from the bottom up after marking (with the nerf bar backing plate as a guide).
- Insert 1/4-20 x 1" Bolt, Button Head, Socket Cap, SS bolts with 1/4" x 7/8" flat washers (70039) through the holes so the threads appear at the bottom of the nerf bar.
 - Attach one 1/4"x 7/8" (70039) washer and one nylock nut to the end of each bolt.
 - Tighten down nut onto lubricated bolt.
 - Front nerf bar mount:
 - Once in place center punch two locations on front nerf bar mounting surface (see picture 4).
 - Drill through the nerf bar and the step.
 - Insert 1/4"-20 x 1" button head bolt through the holes with a 1/4" x 7/8" washer between the head of the bolt and the nerf bar.



(Nerf Bar Backing Plate)

- Put a 1/4" x 7/8" washer on the bolt and then a 1/4"-20 nylock nut.

- Replace the plastic step cover.



- Find 2 spots evenly spaced along the length of the nerf bar to drill 1/4" hole through the nerf bar pipe and through the pinch weld of the van.
- Install the two 1/4"x3" bolts through the countersunk washer (70040), the 1/4" fender washer (40039), the pipe, and pinch weld for additional nerf bar support.
 - (See picture above)
- Repeat these last 2 steps for the opposite side.

Aluminess Products, Inc. (Aluminess) Warranty

1. Lifetime Warranty. Aluminess provides a lifetime warranty of its products to the original retail purchaser provided such products are installed correctly according to the official Aluminess installation instructions. Any modification to the original product design, function or use of any Aluminess products will void the Aluminess warranty. Aluminess will have sole discretion to determine warranty eligibility for any and all Aluminess products sold to any purchaser.
2. Limited Remedies. Subject to any limitations and exclusions described herein, and subject to Aluminess' determination of warranty eligibility, Aluminess will remedy defects in product materials and/or workmanship of any product by repairing or replacing such defective product, which shall be within Aluminess' sole discretion, without charge for parts or labor. Aluminess may elect in its sole discretion not to replace a defective product and issue the purchaser a refund equal to the purchase price of any defective product or purchaser may elect to receive a credit (equal to such refund) toward the purchase of new Aluminess products. Repair or replacement of a defective product or providing a refund or credit to purchaser will be purchaser's exclusive remedy under this warranty. Damage to a purchaser's vehicle, cargo and/or any other person or property is expressly excluded from the Aluminess warranty.
3. Modification. Aluminess products are designed to be mounted to factory equipped vehicles. Aftermarket additions to such vehicle may or may not require modification of an Aluminess product. The Aluminess warranty does not extend to any Aluminess products that are modified to fit around other otherwise accommodate or be compatible with any aftermarket vehicle accessories or alterations. Aluminess does not guarantee fitment with any other aftermarket accessories or modified vehicle, and it is up to purchaser to determine fitment prior to purchasing any Aluminess product.
4. Damage. Damage to Aluminess products due to normal wear and tear, including, but not limited to, cosmetic issues and superficial scratches, or structural damage to an Aluminess product in connection with any vehicle collisions or other structural degradation in connection with the use of such vehicle (on road or off road) will not be covered by the Aluminess warranty. Additionally, any product user's misuse, neglect, overloading, improper maintenance or improper installation or repair of any Aluminess products are not covered under the Aluminess warranty.
5. Use of the Products. Aluminess products are designed for off road vehicle use. Installing Aluminess products on a vehicle may exceed the factory designed capabilities of such vehicle and could potentially lead to vehicle damage. Aluminess will not be responsible for any damage caused to a purchaser or user's vehicle or any vehicle accessories caused by the use of any Aluminess products. It is to the sole responsibility of purchaser to inspect and ensure that the intended vehicle and Aluminess products are suitable and compatible for travel on road and off road. No seller nor any manufacturer of Aluminess products will be liable for any loss, damage or injury directly or indirectly arising from the use of any Aluminess products. Before using any Aluminess products, the purchaser or user will determine the suitability of the product(s) for their intended use(s) and the purchaser or user shall assume all responsibility and risk in connection therewith.
6. DISCLAIMER. THE ALUMINESS WARRANTY IS EXPRESSLY MADE IN LIEU OF ANY AND ALL OTHER WARRANTIES, AND EXCEPT FOR THE ALUMINESS WARRANTY SET FORTH HEREIN, ALUMINESS MAKES NO WARRANTY WHATSOEVER WITH RESPECT TO ANY ALUMINESS PRODUCT, INCLUDING ANY WARRANTY OF MERCHANTABILITY AND FITNESS FOR A PARTICULAR PURPOSE, WHETHER EXPRESS OR IMPLIED BY LAW, COURSE OF DEALING, COURSE OF PERFORMANCE, USAGE OF TRADE, OR OTHERWISE.
EXCEPT FOR PURCHASER'S LIMITED REMEDIES SET FORTH HEREIN, IN NO EVENT WILL ALUMINESS BE LIABLE FOR ANY LOST PROFITS, LOST SALES, OR FOR ANY CONSEQUENTIAL, DIRECT, INDIRECT, INCIDENTAL, SPECIAL, EXEMPLARY OR PUNITIVE DAMAGES OR FOR ANY OTHER DAMAGES OF ANY KIND OR NATURE.
7. Compliance. Aluminess cannot guarantee that its products comply with all Federal, State, and/or local laws. Purchaser is advised to review local vehicle codes for compatibility prior to purchase to ensure that the installation and use of any Aluminess products does not violate any applicable laws.
8. Warranty Claim Submission. Purchaser will responsible for returning any defective product to Aluminess for warranty consideration and purchaser may be responsible for all costs associated with shipping the product to and from Aluminess. Prior to returning any product for warranty, purchaser must contact Aluminess Products Inc. for proper authorization.