

## **NERF BAR INSTALLATION INSTRUCTIONS** **92-14 Ford E-Series**

**Please read before beginning**

- *Stainless steel hardware may bind together when tightening—It is recommended that you apply an anti-seize assembly lubricant to the threads of each bolt before assembly*
- *This installation requires two people*



**Required tools**

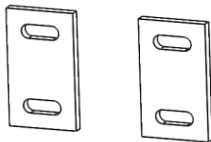
- Drill and drill bits (1/4", 5/16", 3/8")
- Standard wrench set
- Center punch or scribing tool
- Leveling tool
- C-clamps

**Included hardware**

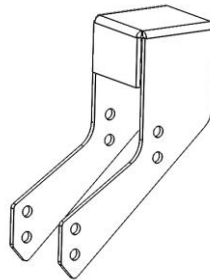
**Quantity**

- |  |    |
|--|----|
| • 70008 - 1/4-20 Nylock Nuts SS                          | 8  |
| • 70009 - 1/4 x 5/8 Washer SS (.03" Thick)               | 8  |
| • 70230 - 1/4-20 x 4 1/2" Hex Bolt H/C SS                | 4  |
| • 70039 - 1/4 x 7/8" Washer SS Fender                    | 12 |
| • 70060 - 1/4-20 x 1" Bolt, Button Head, Socket Cap, SS, | 8  |
| • 70194 - Tapped-Hole No-Slip Clip-on Nut, 1/4"-20       | 4  |
| • 70024 – 3/8-16 Nylock Nut, SS                          | 16 |
| • 70028 – 3/8" Flat Washer, SS                           | 32 |
| • 70029 – 3/8-16 x 1 1/4" Hex Head Bolt, SS              | 16 |
| • Antiseize Packet, 2g                                   | 1  |

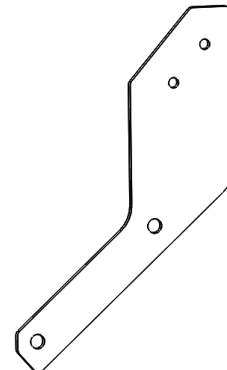
**Included Parts/Subassemblies**



**x2**  
 Aluminum Backing Plates



**x2**  
 Front Bracket

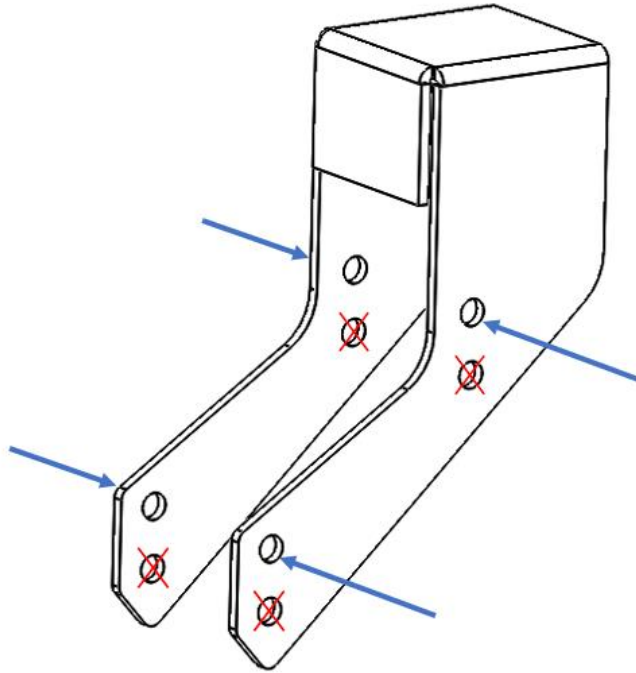


**x4**  
 Rear Bracket



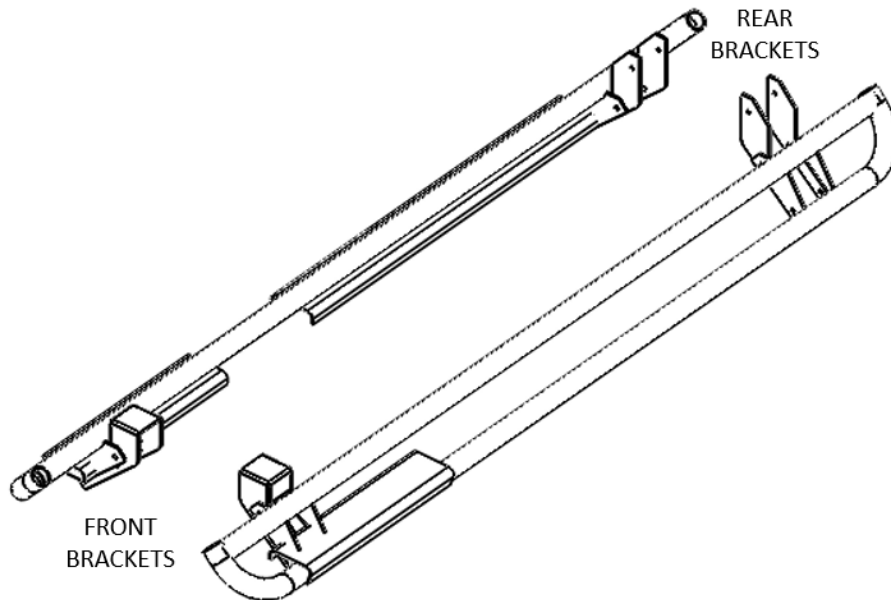
## **Assembly Instructions**

1. Assemble the front nerf bar brackets to the main nerf bar assembly using the top set of holes on each bracket, as shown in Figure 1. Use the 3/8-16 x 1 1/4" bolts provided in the hardware kit.



**Figure 1.** Bolt the top holes of the front bracket to the nerf bar assembly.

2. Bolt the rear nerf bar brackets to the nerf bar assembly, as shown in Figure 2.



**Figure 2.** Correct orientation of front and rear brackets assembled.



3. Open the front door and pull up on the plastic step covers to see painted metal underneath
4. Note the wires that cross because you will be drilling through into this space
5. Lie on your back and hold the nerf bar up against the underside of the van so that the flat mounting surface in the front is held flat against the bottom face of the step—The two rear flanges should also be fitted on either side of the body
6. Have your partner check to see if the nerf bar step is level
7. Mark through the top hole on the rear flange to the body using a punch or scribe
8. Remove the nerf bar
9. Drill the hole for the back flange using a 1/4" drill bit so that one bolt may go all the way through
10. Put the nerf bar back and insert the 5" bolt through the hole you just drilled
11. On the front bracket hold the nerf bar up so the flat mounting surface is flat against the bottom of the van step; drill up and through the step ensuring that you have enough room for both holes that are in the backing plate and being careful of the wiring on the top of the step—drill the second hole from the top down using the backing plate as a guide.
12. Bolt down through the step and bracket plate using the 1/4"x 1" bolts, two 1/4" washers per bolt, and 1/4" nylock nuts
13. Drill and bolt a second hole through the rear flange and body mount
14. Again, put the 1/4"x 5" bolt through the hole with the washers on either side and a nylock nut
15. Fit step cover back on
16. Additional support
  - a. Drill a 1/4" hole, through the pinch weld and the back side of the Nerf Bar Bracket (Front or rear, passenger or driver side).
  - b. Place the Tapped-Hole No-Slip Clip-on Nut, 1/4"-20 over the Pinch Weld.
  - c. Using the 1/4" bolt with a washer, thread the bolt through the hole from the inside of the nerf bar to the Tapped-Hole No-Slip Clip-on Nut on the Pinch Weld.
17. Repeat the process for the other 3 mounts.



Aluminess Products, Inc. (Aluminess) Warranty

1. Lifetime Warranty. Aluminess provides a lifetime warranty of its products to the original retail purchaser provided such products are installed correctly according to the official Aluminess installation instructions. Any modification to the original product design, function or use of any Aluminess products will void the Aluminess warranty. Aluminess will have sole discretion to determine warranty eligibility for any and all Aluminess products sold to any purchaser.
2. Limited Remedies. Subject to any limitations and exclusions described herein, and subject to Aluminess' determination of warranty eligibility, Aluminess will remedy defects in product materials and/or workmanship of any product by repairing or replacing such defective product, which shall be within Aluminess' sole discretion, without charge for parts or labor. Aluminess may elect in its sole discretion not to replace a defective product and issue the purchaser a refund equal to the purchase price of any defective product or purchaser may elect to receive a credit (equal to such refund) toward the purchase of new Aluminess products. Repair or replacement of a defective product or providing a refund or credit to purchaser will be purchaser's exclusive remedy under this warranty. Damage to a purchaser's vehicle, cargo and/or any other person or property is expressly excluded from the Aluminess warranty.
3. Modification. Aluminess products are designed to be mounted to factory equipped vehicles. Aftermarket additions to such vehicle may or may not require modification of an Aluminess product. The Aluminess warranty does not extend to any Aluminess products that are modified to fit around other otherwise accommodate or be compatible with any aftermarket vehicle accessories or alterations. Aluminess does not guarantee fitment with any other aftermarket accessories or modified vehicle, and it is up to purchaser to determine fitment prior to purchasing any Aluminess product.
4. Damage. Damage to Aluminess products due to normal wear and tear, including, but not limited to, cosmetic issues and superficial scratches, or structural damage to an Aluminess product in connection with any vehicle collisions or other structural degradation in connection with the use of such vehicle (on road or off road) will not be covered by the Aluminess warranty. Additionally, any product user's misuse, neglect, overloading, improper maintenance or improper installation or repair of any Aluminess products are not covered under the Aluminess warranty.
5. Use of the Products. Aluminess products are designed for off road vehicle use. Installing Aluminess products on a vehicle may exceed the factory designed capabilities of such vehicle and could potentially lead to vehicle damage. Aluminess will not be responsible for any damage caused to a purchaser or user's vehicle or any vehicle accessories caused by the use of any Aluminess products. It is to the sole responsibility of purchaser to inspect and ensure that the intended vehicle and Aluminess products are suitable and compatible for travel on road and off road. No seller nor any manufacturer of Aluminess products will be liable for any loss, damage or injury directly or indirectly arising from the use of any Aluminess products. Before using any Aluminess products, the purchaser or user will determine the suitability of the product(s) for their intended use(s) and the purchaser or user shall assume all responsibility and risk in connection therewith.
6. DISCLAIMER. THE ALUMINESS WARRANTY IS EXPRESSLY MADE IN LIEU OF ANY AND ALL OTHER WARRANTIES, AND EXCEPT FOR THE ALUMINESS WARRANTY SET FORTH HEREIN, ALUMINESS MAKES NO WARRANTY WHATSOEVER WITH RESPECT TO ANY ALUMINESS PRODUCT, INCLUDING ANY WARRANTY OF MERCHANTABILITY AND FITNESS FOR A PARTICULAR PURPOSE, WHETHER EXPRESS OR IMPLIED BY LAW, COURSE OF DEALING, COURSE OF PERFORMANCE, USAGE OF TRADE, OR OTHERWISE.  
EXCEPT FOR PURCHASER'S LIMITED REMEDIES SET FORTH HEREIN, IN NO EVENT WILL ALUMINESS BE LIABLE FOR ANY LOST PROFITS, LOST SALES, OR FOR ANY CONSEQUENTIAL, DIRECT, INDIRECT, INCIDENTAL, SPECIAL, EXEMPLARY OR PUNITIVE DAMAGES OR FOR ANY OTHER DAMAGES OF ANY KIND OR NATURE.
7. Compliance. Aluminess cannot guarantee that its products comply with all Federal, State, and/or local laws. Purchaser is advised to review local vehicle codes for compatibility prior to purchase to ensure that the installation and use of any Aluminess products does not violate any applicable laws.
8. Warranty Claim Submission. Purchaser will responsible for returning any defective product to Aluminess for warranty consideration and purchaser may be responsible for all costs associated with shipping the product to and from Aluminess. Prior to returning any product for warranty, purchaser must contact Aluminess Products Inc. for proper authorization.